

Round Ceiling Diffuser DCEA Steel / DCEL Aluminium

SPIRO DUCT + FITTINGS + GRILLES + DIFFUSERS + FILTERS + FLEXIBLE DUCT + ACCESORIES

DCE Round ceiling diffuser with an adjustable sphere type discharge injector, its design allows directing the flow precisely to the desired area and offers great modern appearance. Optionally, it is offered with a damper to regulate the air volume.

1 Principal Features

Materials:

Made entirely of steel model DCEA or entirely of aluminum model DCEL.

Finish:

Bright White (standard). (With options in other colors)

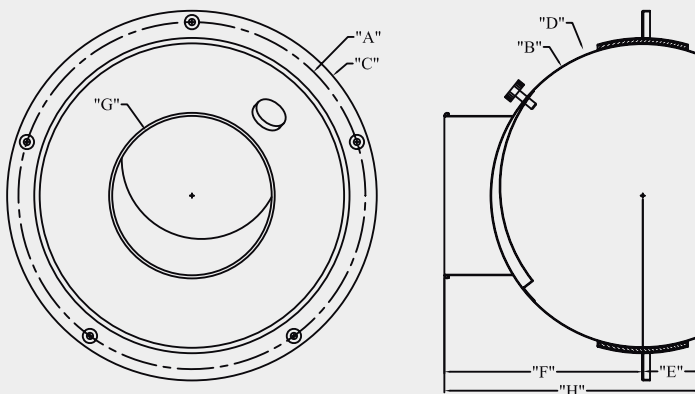
Applications:

Due to its efficiency and design characteristics, this model is recommended for open areas with high volume requirements and large throws such as shopping malls, airports, department stores, shopping malls, etc.

Sizes:

Model DCEL is available in diameters 4", 6", 8", 10", 12", 14" and 16" and model DCEA is available in 4", 6", 8" and 10" diameter with round frame, or mounted on a rectangular panel that can accommodate several elements according to the needs or characteristics of the installation.

2 Views

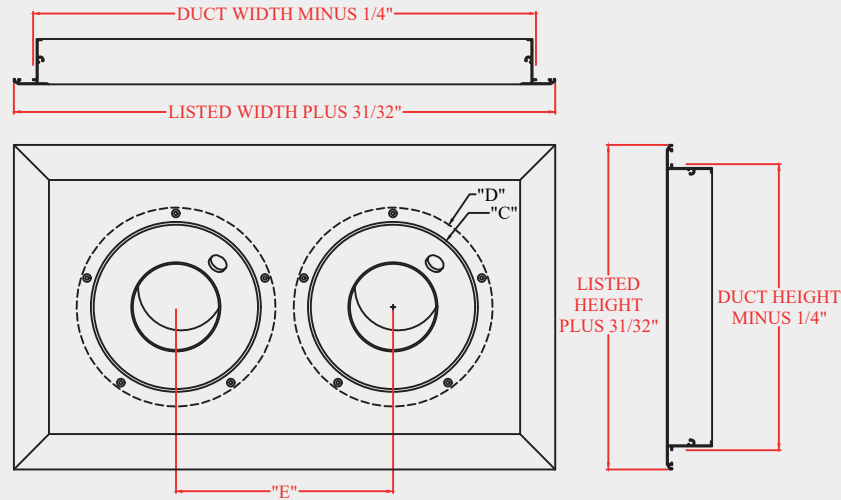


LISTED Ø	"A"	"B"	"C"	"D"	"E"	"F"	"G"	"H"	NUMBER OF HOLES	MAXIMUM ROTATION
4"	4-13/16"	3-15/16"	5-1/2"	4-7/32"	15/16"	2-9/16"	1-31/32"	3-1/2"	4	41°
6"	6-25/32"	5-29/32"	7-15/32"	6-7/32"	1-1/2"	3-11/16"	2-15/16"	5-3/16"	5	43°
8"	8-3/8"	7-7/8"	9-27/32"	8-1/32"	1-23/32"	4-23/32"	3-15/16"	6-7/16"	5	42°
10"	11-31/32"	10-1/2"	12-3/4"	10-7/8"	1-31/32"	6-27/32"	5-1/2"	8-13/16"	5	40°
12"	13-15/32"	12"	14-9/32"	12-3/8"	2-15/32"	7-7/8"	6-1/2"	10-11/32"	5	39°
14"	15-3/4"	14"	16-3/8"	14-3/8"	3"	9-5/16"	7-1/2"	12-5/16"	6	40°
16"	17-3/4"	16-5/32"	18-1/2"	16-1/2"	3-5/8"	9-3/4"	9-1/16"	13/3/8"	8	40°
18"	17-3/4"	16-5/32"	18-1/2"	16-1/2"	3-5/8"	9-3/4"	9-1/16"	13/3/8"	8	40°

Round Ceiling Diffuser DCEA Steel / DCEL Alumini-

SPIRO DUCT + FITTINGS + GRILLES + DIFFUSERS + FILTERS + FLEXIBLE DUCT + ACCESORIES

2 Views



LINEAR CONFIGURATION				
Ø X QUANTITY	"C"	"D"	"E"	DUCT SIZE
4 x 1	4-5/8"	5-5/8"	N/A	10" x 10"
6 x 1	6-5/8"	7-15/16"	N/A	12" x 12"
8 x 1	8-5/8"	10-1/8"	N/A	14" x 14"
10 x 1	11-3/4"	12-11/16"	N/A	16" x 16"
12 x 1	12-3/4"	14-3/16"	N/A	18" x 18"
14 x 1	14-3/4"	16-3/8"	N/A	20" x 20"
16 x 1	16-13/16"	18-3/4"	N/A	22" x 22"
4 x 2	4-5/8"	5-5/8"	7-21/32"	10" x 18"
6 x 2	6-5/8"	7-15/16"	9-3/4"	12" x 22"
8 x 2	8-5/8"	10-1/8"	11-27/32"	14" x 26"
10 x 2	11-3/4"	12-11/16"	14-11/16"	16" x 32"
12 x 2	12-3/4"	14-3/16"	15-27/32"	18" x 34"
14 x 2	14-3/4"	16-3/8"	17-29/32"	20" x 38"
16 x 2	16-13/16"	18-3/4"	20-1/32"	22" x 42"
4 x 3	4-5/8"	5-5/8"	7-1/4"	10" x 24"
6 x 3	6-5/8"	7-15/16"	9-13/16"	12" x 32"
8 x 3	8-5/8"	10-1/8"	11-7/8"	14" x 38"
10 x 3	11-3/4"	12-11/16"	14-1/2"	16" x 46"
12 x 3	12-3/4"	14-3/16"	15-7/8"	18" x 50"
14 x 3	14-3/4"	16-3/8"	18-7/16"	20" x 58"
16 x 3	16-13/16"	18-3/4"	20-17/32"	22" x 64"
4 x 4	4-5/8"	5-5/8"	7-13/32"	10" x 32"
6 x 4	6-5/8"	7-15/16"	9-7/8"	12" x 42"
8 x 4	8-5/8"	10-1/8"	11-7/8"	14" x 50"
10 x 4	11-3/4"	12-11/16"	14-13/32"	16" x 60"
12 x 4	12-3/4"	14-3/16"	15-29/32"	18" x 66"
14 x 4	14-3/4"	16-3/8"	18-11/32"	20" x 76"
16 x 4	16-13/16"	18-3/4"	20-13/16"	22" x 86"

Round Ceiling Diffuser DCEA Steel / DCEL Alumini-

SPIRO DUCT + FITTINGS + GRILLES + DIFFUSERS + FILTERS + FLEXIBLE DUCT + ACCESORIES

3 Data

Size	Approx. Nozzle Velocity		500				1000				1500				2000				2500				3000				3500				4000			
	Terminal Velocity		50	100	200	400	50	100	200	400	50	100	200	400	50	100	200	400	50	100	200	400	50	100	200	400	50	100	200	400	50	100	200	400
4"	Noozle Area Sq. Feet 0.021	CFM	10				20				30				40				50				60				70				80			
		SP (in. wg)	0.01				0.05				0.14				0.25				0.39				0.56				0.8				1.05			
		NC	-				-				<20				<20				21				24				28				32			
		Thorw (ft.)	7	5	2	-	18	10	5	-	27	14	7	3	36	18	9	5	44	23	12	6	53	28	14	7	65	32	16	8	75	37	18	9
6"	Noozle Area Sq. Feet 0.036	CFM	25				50				80				100				120				150				170				190			
		SP (in. wg)	0.02				0.07				0.18				0.29				0.44				0.82				0.93				1.2			
		NC	-				-				<20				20				21				27				30				33			
		Thorw (ft.)	19	10	5	-	30	15	8	2	50	25	13	8	62	31	17	9	80	37	20	10	100	45	23	12	110	55	28	14	125	50	30	15
8"	Noozle Area Sq. Feet 0.085	CFM	45				90				130				170				220				260				300				340			
		SP (in. wg)	0.016				0.06				0.17				0.27				0.38				0.64				0.92				1.2			
		NC	-				<20				<20				22				27				33				35				39			
		Thorw (ft.)	25	12	7	4	40	20	12	6	62	30	16	9	85	39	20	11	105	52	27	13	125	62	30	17	150	72	35	19	162	80	38	20
10"	Noozle Area Sq. Feet 0.165	CFM	85				170				250				330				420				500				580				660			
		SP (in. wg)	0.014				0.06				0.14				0.24				0.44				0.63				0.92				1.2			
		NC	-				<20				<20				20				26				30				34				38			
		Thorw (ft.)	30	15	8	5	55	30	14	7	90	42	22	10	112	55	29	14	148	72	36	17	162	84	42	21	190	100	48	24	225	112	55	28
12"	Noozle Area Sq. Feet 0.230	CFM	115				230				350				460				580				690				810				920			
		SP (in. wg)	0.012				0.055				0.12				0.22				0.43				0.6				0.92				1.2			
		NC	-				<20				<20				23				28				32				36				40			
		Thorw (ft.)	35	17	9	6	66	35	17	7	100	50	27	13	137	65	34	17	162	82	42	22	187	100	50	26	220	112	57	29	250	130	70	34
16"	Noozle Area Sq. Feet 0.814	CFM	224				448				658				900				1119				1349				1568				1800			
		SP (in. wg)	0.012				0.05				0.12				0.21				0.41				0.61				0.9				1.2			
		NC	-				20				21				25				28				36				40				43			
		Thorw (ft.)	46	25	12	6	89	46	24	11	138	65	35	18	175	94	47	22	225	111	55	27	250	136	64	34	275	159	80	41	350	174	94	46

- + The throw value is based on a 50 FPM terminal velocity.
- + Script in static pressure indicates that the value is less than 0.01 inches W.G.
- + Script in noise level indicates that the value is less than 20.
- + Noise level is based in a room attenuation of 10 dB with an operating diffuser.