

## Round Diffuser DCCA Steel / DCCL Aluminium

**SPIRO DUCT + FITTINGS + GRILLES + DIFFUSERS + FILTERS + FLEXIBLE DUCT + ACCESORIES**

DCC Round diffuser of multiple rings with a 360° fixed pattern of air supply, round neck and optional volume control. It's round neck is tall enough to install directly with flexible duct or spiro duct without the need to buy and install an additional connector. Provides aesthetics and it is ideal for low air volume. The nominal available diameters are 6" to 14" in increases of 2".

### 1 Principal Features

**Materials:**

Manufactured in steel model DCCA and optional aluminum model DCCL.

**Finish:**

Baked electrostatic Paint Bright White (standard). (With options in other colors)

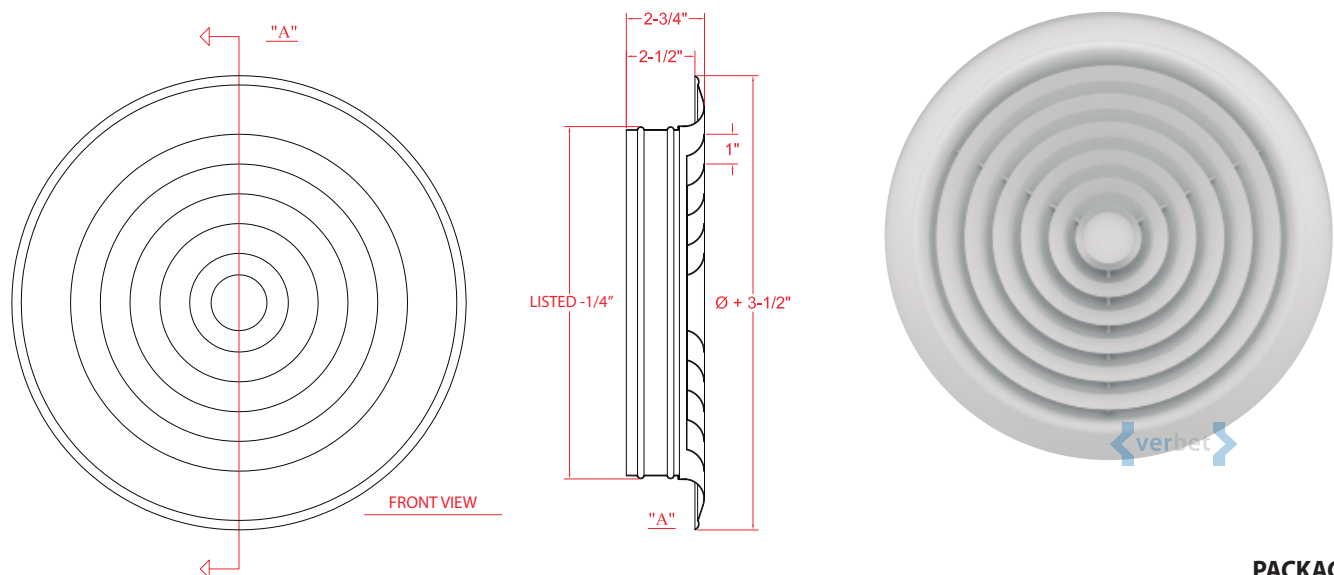
**Applications:**

An excellent choice for applications where aesthetics is the main element, such as office buildings, restaurants, department stores, etc.

**Sizes:**

Available diameters are 6" to 14" in increases of 2".

### 2 Views



**PACKAGING:**  
Airtight plastic packaging.

## Round Diffuser DCCA Steel / DCCL Aluminium

SPIRO DUCT + FITTINGS + GRILLES + DIFFUSERS + FILTERS + FLEXIBLE DUCT + ACCESORIES

### 3 Mounting

