

Lineal Slot Diffusers DLA-DLB-DLC/ RLA-RLB-RLC

SPIRO DUCT + FITTINGS + GRILLES + **DIFFUSERS** + FILTERS + FLEXIBLE DUCT + ACCESORIES

Lineal slot widths of 1/2" (DLA) 3 / 4" (DLB) and 1" (DLC). Forming longitudinal finned adjustable from 1 to 8-way injection or complete closing. Aesthetic architectural design model ideal for applications where discretion is desired through the total attachment conjunction with its environment. Available in lengths from 1 'to 8 feet long. (Being 6"the long std.) This model without longitudinal fins is the return (RL).

1 Principal Features

DL-Aluminum / DLA-Steel
RL-Aluminum / RLA-Steel

MATERIALS:

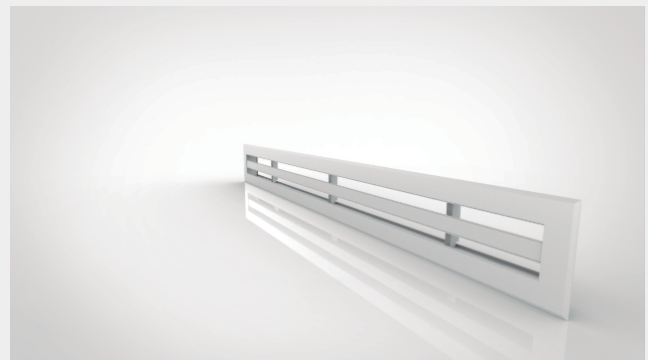
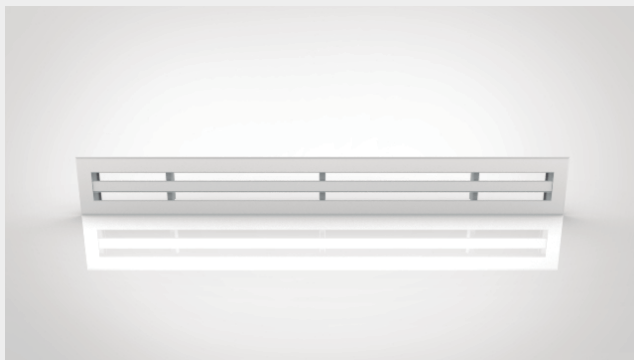
Our aluminum profiles are made with tempered for strength

FINISH:

Baked electrostatic paint (polyester) white Vermont as standard finish with optional natural aluminum and matte black.

Free extra foam seal on the frame to prevent dust spots.

2 Views DL / DLA

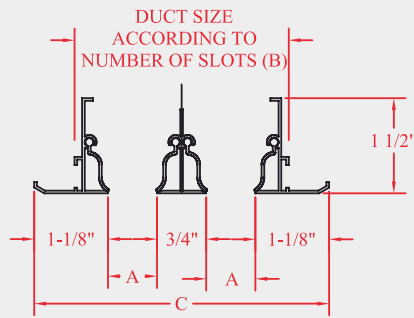


PACKAGING:
Airtight plastic packaging

Lineal Slot Diffusers DLA-DLB-DLC/ RLA-RLB-RLC

SPIRO DUCT + FITTINGS + GRILLES + **DIFFUSERS** + FILTERS + FLEXIBLE DUCT + ACCESORIES

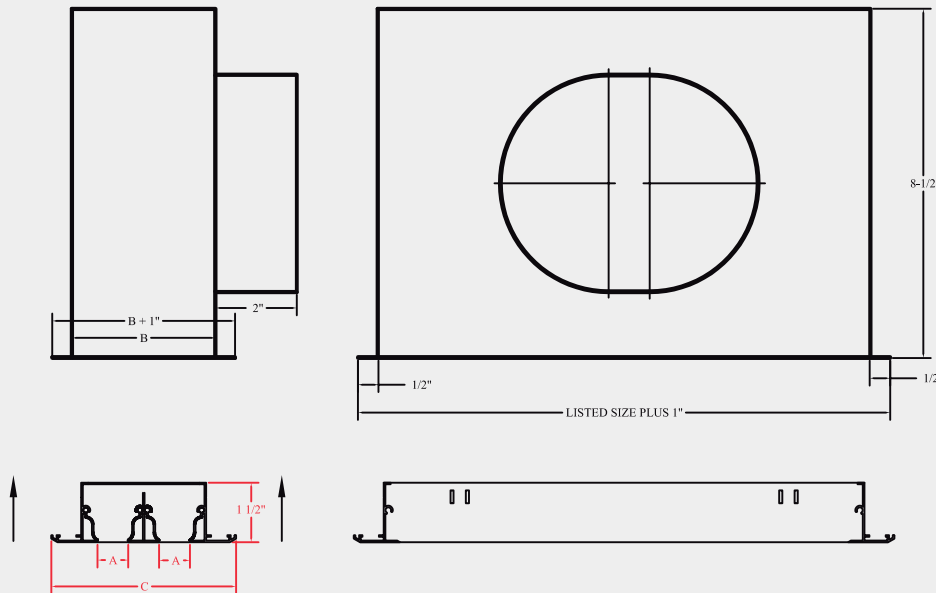
| NUM. OF SLOTS | A | B | C |
|---------------|------|---------|---------|
| 1 | 1/2" | 1-3/4" | 2-3/4" |
| 2 | 1/2" | 3" | 4" |
| 3 | 1/2" | 4-1/4" | 5-1/4" |
| 4 | 1/2" | 5-1/2" | 6-1/2" |
| 5 | 1/2" | 6-3/4" | 7-3/4" |
| 6 | 1/2" | 8" | 9" |
| 7 | 1/2" | 9-1/4" | 10-1/4" |
| 8 | 1/2" | 10-1/2" | 11-1/2" |
| NUM. OF SLOTS | A | B | C |
| 1 | 3/4" | 2" | 3" |
| 2 | 3/4" | 3-1/2" | 4-1/2" |
| 3 | 3/4" | 5" | 6" |
| 4 | 3/4" | 6-1/2" | 7-1/2" |
| 5 | 3/4" | 8" | 9" |
| 6 | 3/4" | 9-1/2" | 10-1/2" |
| 7 | 3/4" | 11" | 12" |
| 8 | 3/4" | 12-1/2" | 13-1/2" |
| NUM. OF SLOTS | A | B | C |
| 1 | 1" | 2-1/4" | 3-1/4" |
| 2 | 1" | 4" | 5" |
| 3 | 1" | 5-3/4" | 6-3/4" |
| 4 | 1" | 7-1/2" | 8-1/2" |
| 5 | 1" | 9-1/4" | 10-1/4" |
| 6 | 1" | 11" | 12" |
| 7 | 1" | 12-3/4" | 13-3/4" |
| 8 | 1" | 14-1/2" | 15-1/2" |



3

Mounting DL /DLA

PLENUM MOUNTING
PLENUM NOT INCLUDED



Lineal Slot Diffusers DLA-DLB-DLC/ RLA-RLB-RLC

SPIRO DUCT + FITTINGS + GRILLES + DIFFUSERS + FILTERS + FLEXIBLE DUCT + ACCESORIES

Selection Table DLAA Steel / DLAL Aluminium

| 1/2" Horizontal Throw | | | | | | | | | | | |
|--|---------|--------------------------|---------------------------|----------------|----|---|---------|--------------------------|---------------------------|----------------|----|
| 1 Slot Slot Area /Ft =.04, Ak/Ft =.032 | | | | | | 2 Slot Slot Area /Ft =.082, Ak/Ft =.050 | | | | | |
| FPM | CFM/Ft. | Total pressure Inch w.g. | Static pressure Inch w.g. | Throw in feet. | NC | FPM | CFM/Ft. | Total pressure Inch w.g. | Static pressure Inch w.g. | Throw in feet. | NC |
| 50 | 2 | 0.002 | 0.001 | 0-0-1 | ** | 50 | 4 | 0.002 | 0.001 | 0-1-2 | ** |
| 100 | 4 | 0.003 | 0.002 | 0-1-4 | ** | 100 | 8 | 0.003 | 0.003 | 1-2-9 | 19 |
| 150 | 6 | 0.006 | 0.004 | 1-2-9 | 16 | 150 | 12 | 0.006 | 0.005 | 2-5-21 | 21 |
| 200 | 8 | 0.009 | 0.007 | 2-4-17 | 18 | 200 | 16 | 0.01 | 0.008 | 5-10-25 | 22 |
| 300 | 12 | 0.019 | 0.014 | 4-9-25 | 20 | 300 | 24 | 0.022 | 0.016 | 10-22-31 | 26 |
| 400 | 16 | 0.033 | 0.023 | 7-17-29 | 27 | 400 | 32 | 0.038 | 0.028 | 18-25-35 | 31 |
| 500 | 20 | 0.052 | 0.036 | 11-23-32 | 33 | 500 | 40 | 0.059 | 0.043 | 23-28-40 | 35 |
| 600 | 25 | 0.074 | 0.052 | 17-25-35 | 38 | 600 | 50 | 0.084 | 0.062 | 25-31-43 | 37 |
| 800 | 32 | 0.131 | 0.091 | 24-29-41 | 49 | 800 | 65 | 0.149 | 0.109 | 29-35-50 | 42 |

| 3 Slot Slot Area /Ft =.122, Ak/Ft =.066 | | | | | | 4 Slot Slot Area /Ft =.163, Ak/Ft =.079 | | | | | |
|---|---------|--------------------------|---------------------------|----------------|----|---|---------|--------------------------|---------------------------|----------------|----|
| FPM | CFM/Ft. | Total pressure Inch w.g. | Static pressure Inch w.g. | Throw in feet. | NC | FPM | CFM/Ft. | Total pressure Inch w.g. | Static pressure Inch w.g. | Throw in feet. | NC |
| 50 | 6 | 0.002 | 0.002 | 0-1-3 | ** | 50 | 8 | 0.002 | 0.002 | 0-1-4 | ** |
| 100 | 12 | 0.005 | 0.004 | 1-3-12 | 8 | 100 | 16 | 0.005 | 0.004 | 2-4-14 | ** |
| 150 | 18 | 0.010 | 0.008 | 3-7-24 | 14 | 150 | 24 | 0.010 | 0.009 | 4-8-24 | 11 |
| 200 | 24 | 0.017 | 0.014 | 5-12-27 | 18 | 200 | 32 | 0.017 | 0.015 | 6-14-27 | 21 |
| 250 | 30 | 0.025 | 0.021 | 8-19-30 | 25 | 250 | 40 | 0.026 | 0.023 | 10-21-31 | 28 |
| 300 | 36 | 0.036 | 0.030 | 12-24-33 | 31 | 300 | 50 | 0.038 | 0.032 | 14-24-34 | 33 |
| 350 | 42 | 0.049 | 0.041 | 16-25-36 | 36 | 350 | 56 | 0.051 | 0.043 | 19-26-36 | 38 |
| 400 | 50 | 0.063 | 0.053 | 21-27-39 | 40 | 400 | 65 | 0.066 | 0.056 | 22-27-39 | 42 |
| 500 | 60 | 0.098 | 0.083 | 25-30-43 | 48 | 500 | 82 | 0.103 | 0.087 | 25-31-43 | 49 |

| 5 Slot Slot Area /Ft =.204, Ak/Ft =.093 | | | | | | 6 Slot Slot Area /Ft =.246, Ak/Ft =.114 | | | | | |
|---|---------|--------------------------|---------------------------|----------------|----|---|---------|--------------------------|---------------------------|----------------|----|
| FPM | CFM/Ft. | Total pressure Inch w.g. | Static pressure Inch w.g. | Throw in feet. | NC | FPM | CFM/Ft. | Total pressure Inch w.g. | Static pressure Inch w.g. | Throw in feet. | NC |
| 50 | 10 | 0.002 | 0.002 | 1-1-5 | ** | 50 | 12 | 0.002 | 0.002 | 1-1-6 | ** |
| 100 | 20 | 0.005 | 0.005 | 2-5-18 | ** | 100 | 24 | 0.005 | 0.005 | 2-6-20 | ** |
| 150 | 30 | 0.011 | 0.009 | 5-10-25 | 17 | 150 | 36 | 0.011 | 0.010 | 6-13-26 | 16 |
| 200 | 40 | 0.018 | 0.016 | 8-18-29 | 23 | 200 | 50 | 0.019 | 0.016 | 10-20-30 | 23 |
| 250 | 50 | 0.028 | 0.024 | 13-23-33 | 30 | 250 | 60 | 0.029 | 0.025 | 16-24-34 | 31 |
| 300 | 60 | 0.040 | 0.034 | 18-25-36 | 35 | 300 | 74 | 0.041 | 0.036 | 20-26-37 | 36 |
| 350 | 72 | 0.054 | 0.046 | 22-27-39 | 39 | 350 | 86 | 0.056 | 0.048 | 23-28-40 | 40 |
| 400 | 82 | 0.070 | 0.060 | 24-29-41 | 44 | 400 | 98 | 0.073 | 0.063 | 25-30-43 | 45 |
| 450 | 92 | 0.088 | 0.076 | 25-31-44 | 47 | 450 | 110 | 0.092 | 0.079 | 26-32-45 | 48 |

| 7 Slot Slot Area /Ft =.287, Ak/Ft =.135 | | | | | | 8 Slot Slot Area /Ft =.328, Ak/Ft =.156 | | | | | |
|---|---------|--------------------------|---------------------------|----------------|----|---|---------|--------------------------|---------------------------|----------------|----|
| FPM | CFM/Ft. | Total pressure Inch w.g. | Static pressure Inch w.g. | Throw in feet. | NC | FPM | CFM/Ft. | Total pressure Inch w.g. | Static pressure Inch w.g. | Throw in feet. | NC |
| 50 | 14 | 0.002 | 0.002 | 1-1-5 | ** | 50 | 16 | 0.002 | 0.002 | 1-1-5 | ** |
| 100 | 28 | 0.005 | 0.005 | 2-5-20 | ** | 100 | 32 | 0.005 | 0.005 | 2-5-19 | ** |
| 150 | 42 | 0.011 | 0.009 | 5-12-28 | 15 | 150 | 48 | 0.011 | 0.010 | 5-12-26 | 15 |
| 175 | 50 | 0.014 | 0.012 | 7-17-30 | 20 | 175 | 56 | 0.015 | 0.013 | 7-16-28 | 21 |
| 200 | 56 | 0.018 | 0.016 | 10-20-33 | 24 | 200 | 65 | 0.019 | 0.016 | 9-19-30 | 25 |
| 225 | 64 | 0.023 | 0.019 | 12-22-35 | 28 | 225 | 74 | 0.023 | 0.020 | 12-21-31 | 29 |
| 250 | 72 | 0.028 | 0.024 | 15-25-36 | 31 | 250 | 82 | 0.029 | 0.025 | 15-23-33 | 32 |
| 300 | 86 | 0.039 | 0.034 | 20-28-40 | 36 | 300 | 98 | 0.041 | 0.035 | 19-26-36 | 38 |
| 400 | 114 | 0.069 | 0.059 | 27-33-46 | 45 | 400 | 130 | 0.072 | 0.062 | 24-30-42 | 47 |

Lineal Slot Diffusers DLA-DLB-DLC/ RLA-RLB-RLC

SPIRO DUCT + FITTINGS + GRILLES + DIFFUSERS + FILTERS + FLEXIBLE DUCT + ACCESORIES

Selection Table DLAA Steel / DLAL Aluminium

1/2" Vertical Throw

| 1 Slot Slot Area /Ft =.04, Ak/Ft =.033 | | | | | | 2 Slot Slot Area /Ft =.082, Ak/Ft =.0560 | | | | | |
|--|---------|--------------------------|---------------------------|---------------|----|--|---------|--------------------------|---------------------------|---------------|----|
| FPM | CFM/Ft. | Total pressure Inch w.g. | Static pressure Inch w.g. | Throw in feet | NC | FPM | CFM/Ft. | Total pressure Inch w.g. | Static pressure Inch w.g. | Throw in feet | NC |
| 100 | 4 | 0.003 | 0.002 | 0-1-3 | ** | 100 | 8 | 0.003 | 0.003 | 1-2-7 | ** |
| 150 | 6 | 0.005 | 0.003 | 1-2-7 | ** | 150 | 12 | 0.006 | 0.004 | 2-4-15 | ** |
| 200 | 8 | 0.007 | 0.005 | 1-3-12 | ** | 200 | 16 | 0.010 | 0.007 | 3-7-17 | ** |
| 250 | 10 | 0.011 | 0.007 | 2-5-16 | ** | 250 | 20 | 0.015 | 0.011 | 5-10-20 | ** |
| 300 | 12 | 0.015 | 0.010 | 3-7-18 | ** | 300 | 25 | 0.021 | 0.015 | 7-15-22 | ** |
| 400 | 16 | 0.027 | 0.017 | 5-12-20 | ** | 400 | 33 | 0.036 | 0.026 | 12-18-25 | 5 |
| 500 | 20 | 0.041 | 0.026 | 8-16-23 | ** | 500 | 40 | 0.055 | 0.04 | 16-20-28 | 5 |
| 600 | 25 | 0.059 | 0.037 | 12-18-25 | 9 | 600 | 50 | 0.079 | 0.057 | 18-22-31 | 10 |
| 800 | 33 | 0.104 | 0.064 | 17-20-29 | 14 | 800 | 65 | 0.140 | 0.100 | 20-25-35 | 21 |

| 3 Slot Slot Area /Ft =.122, Ak/Ft =.080 | | | | | | 4 Slot Slot Area /Ft =.163, Ak/Ft =.011 | | | | | |
|---|---------|--------------------------|---------------------------|---------------|----|---|---------|--------------------------|---------------------------|---------------|----|
| FPM | CFM/Ft. | Total pressure Inch w.g. | Static pressure Inch w.g. | Throw in feet | NC | FPM | CFM/Ft. | Total pressure Inch w.g. | Static pressure Inch w.g. | Throw in feet | NC |
| 100 | 12 | 0.003 | 0.003 | 1-2-8 | ** | 100 | 16 | 0.003 | 0.003 | 1-3-10 | ** |
| 150 | 18 | 0.006 | 0.005 | 2-5-17 | ** | 150 | 25 | 0.007 | 0.005 | 3-6-17 | ** |
| 200 | 25 | 0.010 | 0.008 | 4-8-19 | ** | 200 | 33 | 0.011 | 0.008 | 4-10-19 | ** |
| 250 | 30 | 0.016 | 0.012 | 6-13-22 | ** | 250 | 40 | 0.016 | 0.012 | 7-15-22 | ** |
| 300 | 36 | 0.022 | 0.017 | 8-17-24 | ** | 300 | 50 | 0.023 | 0.018 | 10-17-24 | ** |
| 400 | 50 | 0.039 | 0.029 | 15-19-27 | 6 | 400 | 65 | 0.040 | 0.030 | 16-19-27 | ** |
| 500 | 61 | 0.060 | 0.045 | 18-22-30 | 8 | 500 | 82 | 0.063 | 0.047 | 18-22-31 | 8 |
| 600 | 74 | 0.086 | 0.064 | 19-24-33 | 14 | 600 | 98 | 0.090 | 0.067 | 19-24-34 | 14 |
| 800 | 98 | 0.152 | 0.111 | 22-27-39 | 25 | 800 | 130 | 0.159 | 0.119 | 22-27-39 | 26 |

| 5 Slot Slot Area /Ft =.204, Ak/Ft =.142 | | | | | | 6 Slot Slot Area /Ft =.245, Ak/Ft =.167 | | | | | |
|---|---------|--------------------------|---------------------------|---------------|----|---|---------|--------------------------|---------------------------|---------------|----|
| FPM | CFM/Ft. | Total pressure Inch w.g. | Static pressure Inch w.g. | Throw in feet | NC | FPM | CFM/Ft. | Total pressure Inch w.g. | Static pressure Inch w.g. | Throw in feet | NC |
| 100 | 20 | 0.004 | 0.003 | 1-3-13 | | 100 | 24 | 0.004 | 0.003 | 2-4-15 | ** |
| 150 | 30 | 0.007 | 0.005 | 3-7-18 | ** | 150 | 36 | 0.007 | 0.005 | 4-10-20 | ** |
| 200 | 40 | 0.011 | 0.009 | 6-13-21 | ** | 200 | 50 | 0.011 | 0.009 | 8-15-23 | ** |
| 250 | 51 | 0.017 | 0.013 | 9-16-23 | ** | 250 | 62 | 0.017 | 0.013 | 12-18-26 | ** |
| 300 | 61 | 0.024 | 0.019 | 13-18-25 | ** | 300 | 74 | 0.024 | 0.018 | 15-20-28 | ** |
| 400 | 82 | 0.042 | 0.032 | 17-21-29 | ** | 400 | 98 | 0.041 | 0.031 | 19-23-33 | ** |
| 500 | 102 | 0.065 | 0.05 | 19-23-33 | 10 | 500 | 122 | 0.064 | 0.049 | 21-26-36 | 11 |
| 600 | 122 | 0.093 | 0.071 | 21-25-36 | 16 | 600 | 148 | 0.092 | 0.070 | 23-28-40 | 17 |
| 800 | 164 | 0.165 | 0.126 | 24-29-41 | 28 | 800 | 196 | 0.164 | 0.123 | 27-33-46 | 29 |

| 7 Slot Slot Area /Ft =.286, Ak/Ft =.192 | | | | | | 8 Slot Slot Area /Ft =.327, Ak/Ft =.216 | | | | | |
|---|---------|--------------------------|---------------------------|---------------|----|---|---------|--------------------------|---------------------------|---------------|----|
| FPM | CFM/Ft. | Total pressure Inch w.g. | Static pressure Inch w.g. | Throw in feet | NC | FPM | CFM/Ft. | Total pressure Inch w.g. | Static pressure Inch w.g. | Throw in feet | NC |
| 100 | 28 | 0.004 | 0.003 | 2-4-14 | ** | 100 | 32 | 0.004 | 0.003 | 2-4-14 | ** |
| 150 | 42 | 0.007 | 0.005 | 4-9-18 | ** | 150 | 48 | 0.007 | 0.005 | 4-8-18 | ** |
| 200 | 58 | 0.011 | 0.009 | 7-14-21 | ** | 200 | 66 | 0.011 | 0.009 | 7-14-21 | ** |
| 250 | 72 | 0.017 | 0.013 | 11-17-24 | ** | 250 | 82 | 0.017 | 0.013 | 10-17-23 | ** |
| 300 | 86 | 0.024 | 0.018 | 14-18-26 | ** | 300 | 98 | 0.024 | 0.018 | 14-18-26 | ** |
| 400 | 114 | 0.042 | 0.032 | 17-21-30 | 5 | 400 | 130 | 0.042 | 0.032 | 17-21-30 | 7 |
| 500 | 142 | 0.065 | 0.050 | 19-24-34 | 12 | 500 | 164 | 0.065 | 0.049 | 19-23-33 | 12 |
| 600 | 172 | 0.093 | 0.071 | 21-26-37 | 19 | 600 | 196 | 0.093 | 0.070 | 21-26-36 | 20 |
| 800 | 228 | 0.165 | 0.125 | 25-30-43 | 31 | 800 | 260 | 0.164 | 0.124 | 24-30-42 | 32 |

Lineal Slot Diffusers DLA-DLB-DLC/ RLA-RLB-RLC

SPIRO DUCT + FITTINGS + GRILLES + DIFFUSERS + FILTERS + FLEXIBLE DUCT + ACCESORIES

Selection Table DLBA Steel / DLBL Aluminium

3/4" Horizontal Throw

| 1 Slot Slot Area /Ft =.062, Ak/Ft =.037 | | | | | | 2 Slot Slot Area /Ft =.122, Ak/Ft =.064 | | | | | |
|---|---------|--------------------------|---------------------------|----------------|----|---|---------|--------------------------|---------------------------|----------------|----|
| FPM | CFM/Ft. | Total pressure Inch w.g. | Static pressure Inch w.g. | Throw in feet. | NC | FPM | CFM/Ft. | Total pressure Inch w.g. | Static pressure Inch w.g. | Throw in feet. | NC |
| 150 | 9 | 0.008 | 0.006 | 3-7-19 | ** | 100 | 12 | 0.005 | 0.005 | 2-5-19 | ** |
| 200 | 12 | 0.013 | 0.011 | 5-12-24 | 13 | 150 | 18 | 0.010 | 0.009 | 5-11-26 | 12 |
| 300 | 18 | 0.028 | 0.022 | 12-19-30 | 16 | 250 | 30 | 0.027 | 0.023 | 14-23-34 | 18 |
| 400 | 24 | 0.049 | 0.039 | 17-24-34 | 20 | 300 | 36 | 0.038 | 0.033 | 19-26-37 | 22 |
| 450 | 27 | 0.062 | 0.049 | 19-26-36 | 23 | 350 | 42 | 0.052 | 0.044 | 22-28-40 | 25 |
| 500 | 30 | 0.076 | 0.061 | 21-27-38 | 26 | 400 | 48 | 0.067 | 0.057 | 25-30-43 | 29 |
| 550 | 34 | 0.092 | 0.073 | 23-28-40 | 29 | 500 | 60 | 0.105 | 0.089 | 28-34-48 | 33 |
| 600 | 36 | 0.109 | 0.087 | 24-30-42 | 32 | 575 | 70 | 0.138 | 0.118 | 30-36-51 | 36 |
| 800 | 48 | 0.193 | 0.153 | 28-34-48 | 40 | 800 | 98 | 0.267 | 0.227 | 35-43-60 | 43 |

| 3 Slot Slot Area /Ft =.184, Ak/Ft =.091 | | | | | | 4 Slot Slot Area /Ft =.244, Ak/Ft =.107 | | | | | |
|---|---------|--------------------------|---------------------------|----------------|----|---|---------|--------------------------|---------------------------|----------------|----|
| FPM | CFM/Ft. | Total pressure Inch w.g. | Static pressure Inch w.g. | Throw in feet. | NC | FPM | CFM/Ft. | Total pressure Inch w.g. | Static pressure Inch w.g. | Throw in feet. | NC |
| 125 | 24 | 0.010 | 0.009 | 4-10-26 | ** | 125 | 30 | 0.011 | 0.010 | 5-12-26 | ** |
| 200 | 36 | 0.025 | 0.022 | 11-22-33 | 14 | 175 | 42 | 0.020 | 0.018 | 10-21-31 | 13 |
| 225 | 40 | 0.031 | 0.028 | 14-25-35 | 18 | 200 | 48 | 0.026 | 0.024 | 13-24-33 | 17 |
| 250 | 46 | 0.038 | 0.034 | 17-26-37 | 21 | 225 | 54 | 0.033 | 0.030 | 17-25-35 | 21 |
| 275 | 50 | 0.046 | 0.041 | 20-27-38 | 24 | 250 | 60 | 0.041 | 0.037 | 20-26-37 | 24 |
| 325 | 60 | 0.064 | 0.057 | 24-30-42 | 29 | 275 | 66 | 0.049 | 0.044 | 22-28-39 | 27 |
| 350 | 64 | 0.074 | 0.066 | 25-31-43 | 32 | 325 | 80 | 0.068 | 0.061 | 24-30-42 | 32 |
| 400 | 74 | 0.096 | 0.086 | 27-33-46 | 35 | 375 | 92 | 0.090 | 0.081 | 26-32-46 | 36 |
| 500 | 92 | 0.150 | 0.134 | 30-37-52 | 42 | 450 | 110 | 0.129 | 0.116 | 29-35-50 | 41 |

| 5 Slot Slot Area /Ft =.306, Ak/Ft =.124 | | | | | | 6 Slot Slot Area /Ft =.366, Ak/Ft =.150 | | | | | |
|---|---------|--------------------------|---------------------------|----------------|----|---|---------|--------------------------|---------------------------|----------------|----|
| FPM | CFM/Ft. | Total pressure Inch w.g. | Static pressure Inch w.g. | Throw in feet. | NC | FPM | CFM/Ft. | Total pressure Inch w.g. | Static pressure Inch w.g. | Throw in feet. | NC |
| 125 | 38 | 0.012 | 0.011 | 6-14-28 | ** | 125 | 46 | 0.012 | 0.011 | 8-17-29 | ** |
| 175 | 54 | 0.022 | 0.020 | 13-23-33 | 15 | 175 | 64 | 0.022 | 0.021 | 15-24-34 | 17 |
| 200 | 60 | 0.028 | 0.025 | 16-25-35 | 19 | 200 | 74 | 0.029 | 0.027 | 19-26-37 | 21 |
| 225 | 68 | 0.035 | 0.032 | 20-26-37 | 23 | 225 | 82 | 0.037 | 0.033 | 22-27-39 | 24 |
| 250 | 76 | 0.043 | 0.039 | 22-28-39 | 25 | 250 | 92 | 0.045 | 0.041 | 24-29-41 | 27 |
| 275 | 84 | 0.052 | 0.047 | 24-29-41 | 29 | 275 | 100 | 0.054 | 0.049 | 25-30-43 | 30 |
| 300 | 92 | 0.061 | 0.056 | 25-31-43 | 31 | 300 | 110 | 0.064 | 0.059 | 26-32-45 | 33 |
| 350 | 106 | 0.083 | 0.076 | 27-33-47 | 36 | 350 | 128 | 0.087 | 0.079 | 28-34-48 | 37 |
| 425 | 130 | 0.122 | 0.111 | 30-36-51 | 41 | 425 | 156 | 0.128 | 0.117 | 31-38-53 | 42 |

| 7 Slot Slot Area /Ft =.469, Ak/Ft =.178 | | | | | | 8 Slot Slot Area /Ft =.530, Ak/Ft =.204 | | | | | |
|---|---------|--------------------------|---------------------------|----------------|----|---|---------|--------------------------|---------------------------|----------------|----|
| FPM | CFM/Ft. | Total pressure Inch w.g. | Static pressure Inch w.g. | Throw in feet. | NC | FPM | CFM/Ft. | Total pressure Inch w.g. | Static pressure Inch w.g. | Throw in feet. | NC |
| 100 | 46 | 0.009 | 0.009 | 6-13-27 | ** | 100 | 52 | 0.010 | 0.009 | 6-14-27 | ** |
| 150 | 70 | 0.019 | 0.018 | 13-23-34 | 13 | 125 | 66 | 0.014 | 0.013 | 10-20-30 | 11 |
| 175 | 82 | 0.026 | 0.024 | 18-26-36 | 18 | 150 | 80 | 0.020 | 0.019 | 14-23-33 | 17 |
| 200 | 94 | 0.034 | 0.031 | 21-27-39 | 22 | 175 | 92 | 0.027 | 0.025 | 18-25-36 | 21 |
| 225 | 106 | 0.042 | 0.039 | 23-29-41 | 25 | 200 | 106 | 0.035 | 0.033 | 21-27-38 | 25 |
| 250 | 116 | 0.052 | 0.048 | 25-31-43 | 28 | 225 | 118 | 0.044 | 0.041 | 23-29-41 | 28 |
| 275 | 130 | 0.062 | 0.058 | 26-32-45 | 31 | 250 | 132 | 0.054 | 0.051 | 25-30-43 | 31 |
| 325 | 152 | 0.087 | 0.080 | 29-35-49 | 36 | 300 | 158 | 0.078 | 0.072 | 27-33-47 | 36 |
| 400 | 188 | 0.131 | 0.121 | 32-39-55 | 42 | 375 | 200 | 0.121 | 0.113 | 30-37-53 | 42 |

Lineal Slot Diffusers DLA-DLB-DLC/ RLA-RLB-RLC

SPIRO DUCT + FITTINGS + GRILLES + DIFFUSERS + FILTERS + FLEXIBLE DUCT + ACCESORIES

Selection Table DLBA Steel / DLBL Aluminium

| 3/4" Vertical Throw | | | | | | | | | | | |
|---|---------|--------------------------|---------------------------|----------------|----|---|---------|--------------------------|---------------------------|----------------|----|
| 1 Slot Slot Area /Ft =.061, Ak/Ft =.037 | | | | | | 2 Slot Slot Area /Ft =.122, Ak/Ft =.067 | | | | | |
| FPM | CFM/Ft. | Total pressure Inch w.g. | Static pressure Inch w.g. | Throw in feet. | NC | FPM | CFM/Ft. | Total pressure Inch w.g. | Static pressure Inch w.g. | Throw in feet. | NC |
| 50 | 3 | 0.002 | 0.000 | 0-1-2 | ** | 50 | 6 | 0.002 | 0.002 | 0-1-3 | ** |
| 75 | 4 | 0.002 | 0.002 | 1-1-5 | ** | 75 | 9 | 0.003 | 0.002 | 1-2-8 | ** |
| 100 | 6 | 0.003 | 0.003 | 1-2-9 | ** | 100 | 12 | 0.004 | 0.004 | 2-3-13 | ** |
| 150 | 9 | 0.006 | 0.005 | 2-5-14 | ** | 150 | 18 | 0.008 | 0.007 | 3-8-18 | ** |
| 200 | 12 | 0.010 | 0.008 | 4-9-17 | ** | 200 | 24 | 0.014 | 0.011 | 6-13-21 | ** |
| 300 | 18 | 0.022 | 0.016 | 9-14-21 | ** | 300 | 36 | 0.030 | 0.024 | 13-18-26 | ** |
| 400 | 24 | 0.038 | 0.028 | 12-17-24 | ** | 400 | 50 | 0.053 | 0.043 | 17-21-30 | 9 |
| 600 | 36 | 0.083 | 0.061 | 17-21-30 | 9 | 600 | 74 | 0.117 | 0.095 | 21-26-37 | 23 |
| 800 | 50 | 0.148 | 0.108 | 20-24-34 | 16 | 800 | 98 | 0.208 | 0.168 | 25-30-43 | 33 |
| 3 Slot Slot Area /Ft =.184, Ak/Ft =.097 | | | | | | 4 Slot Slot Area /Ft =.245, Ak/Ft =.123 | | | | | |
| FPM | CFM/Ft. | Total pressure Inch w.g. | Static pressure Inch w.g. | Throw in feet. | NC | FPM | CFM/Ft. | Total pressure Inch w.g. | Static pressure Inch w.g. | Throw in feet. | NC |
| 50 | 9 | 0.002 | 0.002 | 0-1-4 | ** | 50 | 12 | 0.002 | 0.002 | 1-1-5 | ** |
| 75 | 14 | 0.003 | 0.003 | 1-2-10 | ** | 75 | 18 | 0.003 | 0.003 | 1-3-12 | ** |
| 100 | 18 | 0.004 | 0.004 | 2-4-15 | ** | 100 | 24 | 0.005 | 0.004 | 2-5-17 | ** |
| 150 | 28 | 0.009 | 0.005 | 4-10-20 | ** | 150 | 36 | 0.009 | 0.008 | 5-12-20 | ** |
| 200 | 36 | 0.015 | 0.012 | 8-15-23 | ** | 200 | 50 | 0.015 | 0.013 | 9-17-24 | ** |
| 300 | 55 | 0.032 | 0.026 | 15-20-28 | ** | 300 | 74 | 0.033 | 0.028 | 17-20-29 | ** |
| 400 | 75 | 0.056 | 0.046 | 19-23-33 | ** | 400 | 98 | 0.058 | 0.048 | 19-24-33 | ** |
| 600 | 110 | 0.125 | 0.102 | 23-28-40 | 16 | 600 | 146 | 0.130 | 0.108 | 24-29-41 | 14 |
| 800 | 146 | 0.221 | 0.181 | 27-33-46 | 27 | 800 | 196 | 0.230 | 0.191 | 27-33-47 | 25 |
| 5 Slot Slot Area /Ft =.305, Ak/Ft =.159 | | | | | | 6 Slot Slot Area /Ft =.367, Ak/Ft =.200 | | | | | |
| FPM | CFM/Ft. | Total pressure Inch w.g. | Static pressure Inch w.g. | Throw in feet. | NC | FPM | CFM/Ft. | Total pressure Inch w.g. | Static pressure Inch w.g. | Throw in feet. | NC |
| 50 | 15 | 0.002 | 0.002 | 1-2-7 | ** | 50 | 18 | 0.002 | 0.002 | 1-2-8 | ** |
| 75 | 23 | 0.003 | 0.003 | 2-4-14 | ** | 75 | 28 | 0.003 | 0.003 | 2-4-15 | ** |
| 100 | 30 | 0.005 | 0.004 | 3-7-18 | ** | 100 | 36 | 0.005 | 0.004 | 4-8-18 | ** |
| 150 | 46 | 0.009 | 0.008 | 7-14-22 | ** | 150 | 55 | 0.009 | 0.008 | 8-15-22 | ** |
| 200 | 61 | 0.016 | 0.013 | 12-18-25 | ** | 200 | 74 | 0.016 | 0.014 | 14-18-26 | ** |
| 300 | 92 | 0.035 | 0.029 | 18-22-31 | ** | 300 | 110 | 0.035 | 0.029 | 18-22-32 | ** |
| 400 | 122 | 0.061 | 0.051 | 20-25-35 | ** | 400 | 147 | 0.061 | 0.051 | 21-26-37 | 8 |
| 600 | 183 | 0.136 | 0.113 | 25-31-43 | 20 | 600 | 220 | 0.137 | 0.115 | 26-32-45 | 25 |
| 800 | 244 | 0.241 | 0.201 | 29-35-50 | 31 | 800 | 294 | 0.243 | 0.203 | 30-37-52 | 36 |
| 7 Slot Slot Area /Ft =.469, Ak/Ft =.236 | | | | | | 8 Slot Slot Area /Ft =.531, Ak/Ft =.267 | | | | | |
| FPM | CFM/Ft. | Total pressure Inch w.g. | Static pressure Inch w.g. | Throw in feet. | NC | FPM | CFM/Ft. | Total pressure Inch w.g. | Static pressure Inch w.g. | Throw in feet. | NC |
| 50 | 24 | 0.002 | 0.002 | 1-2-9 | ** | 50 | 26 | 0.002 | 0.002 | 1-3-10 | ** |
| 75 | 35 | 0.004 | 0.003 | 2-5-16 | ** | 75 | 40 | 0.003 | 0.003 | 3-6-17 | ** |
| 100 | 47 | 0.005 | 0.005 | 4-9-19 | ** | 100 | 53 | 0.005 | 0.005 | 4-10-19 | ** |
| 150 | 70 | 0.011 | 0.010 | 9-16-24 | ** | 150 | 80 | 0.011 | 0.009 | 10-17-23 | ** |
| 200 | 94 | 0.019 | 0.016 | 15-19-27 | ** | 200 | 106 | 0.018 | 0.016 | 15-19-27 | ** |
| 300 | 140 | 0.041 | 0.036 | 19-24-34 | ** | 300 | 160 | 0.040 | 0.035 | 19-23-33 | ** |
| 400 | 188 | 0.073 | 0.063 | 22-27-39 | 9 | 400 | 212 | 0.071 | 0.061 | 22-27-38 | ** |
| 600 | 282 | 0.162 | 0.140 | 27-34-47 | 24 | 600 | 318 | 0.158 | 0.135 | 27-33-47 | 20 |
| 800 | 376 | 0.288 | 0.248 | 32-39-55 | 35 | 800 | 424 | 0.280 | 0.240 | 31-38-54 | 31 |

Lineal Slot Diffusers DLA-DLB-DLC/ RLA-RLB-RLC

SPIRO DUCT + FITTINGS + GRILLES + DIFFUSERS + FILTERS + FLEXIBLE DUCT + ACCESORIES

Selection Table DLCA Steel / DLCL Aluminium

1" Horizontal Throw

| 1 Slot Slot Area /Ft =.082, Ak/Ft =.042 | | | | | | 2 Slot Slot Area /Ft =.163, Ak/Ft =.079 | | | | | |
|---|---------|--------------------------|---------------------------|----------------|----|---|---------|--------------------------|---------------------------|----------------|----|
| FPM | CFM/Ft. | Total pressure Inch w.g. | Static pressure Inch w.g. | Throw in feet. | NC | FPM | CFM/Ft. | Total pressure Inch w.g. | Static pressure Inch w.g. | Throw in feet. | NC |
| 250 | 20 | 0.025 | 0.022 | 14-21-30 | 10 | 225 | 37 | 0.034 | 0.030 | 17-26-36 | 10 |
| 300 | 25 | 0.036 | 0.031 | 17-23-33 | 12 | 250 | 41 | 0.041 | 0.037 | 19-27-38 | 13 |
| 350 | 28 | 0.049 | 0.041 | 20-25-35 | 14 | 300 | 50 | 0.059 | 0.053 | 23-30-42 | 18 |
| 450 | 36 | 0.080 | 0.068 | 23-28-40 | 17 | 350 | 57 | 0.080 | 0.072 | 26-32-45 | 23 |
| 550 | 45 | 0.119 | 0.101 | 26-31-44 | 23 | 450 | 74 | 0.131 | 0.119 | 30-36-51 | 30 |
| 650 | 53 | 0.166 | 0.140 | 28-34-48 | 28 | 550 | 900 | 0.196 | 0.177 | 33-40-57 | 35 |
| 750 | 61 | 0.221 | 0.186 | 30-37-52 | 32 | 650 | 106 | 0.273 | 0.246 | 36-44-62 | 39 |
| 850 | 69 | 0.284 | 0.239 | 32-39-55 | 36 | 700 | 114 | 0.316 | 0.286 | 37-45-64 | 41 |
| 1050 | 86 | 0.432 | 0.364 | 35-43-61 | 42 | 750 | 122 | 0.363 | 0.328 | 38-47-66 | 43 |

| 3 Slot Slot Area /Ft =.245, Ak/Ft =.115 | | | | | | 4 Slot Slot Area /Ft =.245, Ak/Ft =.115 | | | | | |
|---|---------|--------------------------|---------------------------|----------------|----|---|---------|--------------------------|---------------------------|----------------|----|
| FPM | CFM/Ft. | Total pressure Inch w.g. | Static pressure Inch w.g. | Throw in feet. | NC | FPM | CFM/Ft. | Total pressure Inch w.g. | Static pressure Inch w.g. | Throw in feet. | NC |
| 200 | 50 | 0.032 | 0.030 | 18-26-37 | 10 | 175 | 57 | 0.027 | 0.025 | 17-25-35 | 9 |
| 225 | 55 | 0.041 | 0.038 | 21-28-40 | 14 | 200 | 65 | 0.034 | 0.032 | 21-27-38 | 14 |
| 250 | 61 | 0.050 | 0.046 | 23-30-42 | 17 | 225 | 74 | 0.043 | 0.040 | 23-28-40 | 17 |
| 300 | 74 | 0.072 | 0.066 | 26-32-46 | 23 | 250 | 82 | 0.053 | 0.049 | 24-30-42 | 21 |
| 350 | 86 | 0.097 | 0.090 | 29-35-49 | 27 | 300 | 98 | 0.076 | 0.071 | 27-33-46 | 25 |
| 450 | 110 | 0.160 | 0.147 | 32-40-56 | 34 | 350 | 114 | 0.104 | 0.096 | 29-35-50 | 30 |
| 500 | 122 | 0.197 | 0.182 | 34-42-59 | 37 | 450 | 147 | 0.171 | 0.158 | 33-40-57 | 37 |
| 550 | 135 | 0.239 | 0.220 | 36-44-62 | 39 | 500 | 163 | 0.210 | 0.195 | 35-42-60 | 40 |
| 600 | 147 | 0.284 | 0.261 | 37-46-65 | 42 | 550 | 180 | 0.254 | 0.235 | 36-44-63 | 43 |

| 5 Slot Slot Area /Ft =.408, Ak/Ft =.155 | | | | | | 6 Slot Slot Area /Ft =.490, Ak/Ft =.188 | | | | | |
|---|---------|--------------------------|---------------------------|----------------|----|---|---------|--------------------------|---------------------------|----------------|----|
| FPM | CFM/Ft. | Total pressure Inch w.g. | Static pressure Inch w.g. | Throw in feet. | NC | FPM | CFM/Ft. | Total pressure Inch w.g. | Static pressure Inch w.g. | Throw in feet. | NC |
| 150 | 61 | 0.021 | 0.020 | 15-25-35 | 6 | 150 | 74 | 0.022 | 0.021 | 18-26-36 | 7 |
| 200 | 82 | 0.037 | 0.034 | 23-29-40 | 15 | 200 | 98 | 0.038 | 0.036 | 24-30-42 | 17 |
| 250 | 102 | 0.057 | 0.053 | 26-32-45 | 22 | 250 | 122 | 0.059 | 0.055 | 27-33-47 | 23 |
| 300 | 122 | 0.082 | 0.076 | 29-35-49 | 27 | 300 | 147 | 0.085 | 0.079 | 30-36-51 | 29 |
| 350 | 143 | 0.111 | 0.103 | 31-38-53 | 32 | 350 | 171 | 0.115 | 0.108 | 32-39-55 | 33 |
| 400 | 163 | 0.145 | 0.135 | 33-40-57 | 35 | 400 | 196 | 0.150 | 0.140 | 34-42-59 | 37 |
| 450 | 184 | 0.183 | 0.170 | 35-43-61 | 38 | 450 | 220 | 0.190 | 0.178 | 36-44-63 | 40 |
| 500 | 204 | 0.225 | 0.210 | 37-45-64 | 41 | 500 | 245 | 0.234 | 0.218 | 38-47-66 | 43 |
| 550 | 225 | 0.272 | 0.254 | 39-47-67 | 45 | 550 | 269 | 0.283 | 0.264 | 40-49-70 | 46 |

| 7 Slot Slot Area /Ft =.571, Ak/Ft =.221 | | | | | | 8 Slot Slot Area /Ft =.653, Ak/Ft =.253 | | | | | |
|---|---------|--------------------------|---------------------------|----------------|----|---|---------|--------------------------|---------------------------|----------------|----|
| FPM | CFM/Ft. | Total pressure Inch w.g. | Static pressure Inch w.g. | Throw in feet. | NC | FPM | CFM/Ft. | Total pressure Inch w.g. | Static pressure Inch w.g. | Throw in feet. | NC |
| 150 | 86 | 0.022 | 0.021 | 20-26-37 | 10 | 100 | 65 | 0.011 | 0.011 | 11-21-31 | 7 |
| 175 | 100 | 0.030 | 0.028 | 23-28-40 | 15 | 125 | 82 | 0.017 | 0.016 | 17-24-34 | 13 |
| 200 | 114 | 0.038 | 0.036 | 25-30-43 | 19 | 150 | 98 | 0.024 | 0.023 | 21-26-37 | 18 |
| 225 | 128 | 0.048 | 0.045 | 26-32-45 | 23 | 175 | 114 | 0.033 | 0.031 | 23-29-40 | 22 |
| 250 | 142 | 0.060 | 0.056 | 28-34-48 | 25 | 200 | 130 | 0.042 | 0.040 | 25-31-43 | 25 |
| 300 | 171 | 0.085 | 0.080 | 30-37-52 | 31 | 250 | 163 | 0.066 | 0.062 | 28-34-48 | 30 |
| 350 | 200 | 0.116 | 0.108 | 33-40-57 | 35 | 300 | 196 | 0.094 | 0.089 | 31-37-53 | 34 |
| 400 | 228 | 0.151 | 0.141 | 35-43-61 | 39 | 250 | 228 | 0.128 | 0.120 | 33-40-57 | 38 |
| 450 | 257 | 0.191 | 0.178 | 37-45-64 | 42 | 400 | 261 | 0.167 | 0.157 | 35-43-61 | 41 |



Lineal Slot Diffusers DLA-DLB-DLC/ RLA-RLB-RLC

SPIRO DUCT + FITTINGS + GRILLES + DIFFUSERS + FILTERS + FLEXIBLE DUCT + ACCESORIES

Selection Table DLCA Steel / DLCLAluminium

| 1" Vertical Throw | | | | | | | | | | | |
|---|---------|--------------------------|---------------------------|----------------|----|---|---------|--------------------------|---------------------------|----------------|----|
| 1 Slot Slot Area /Ft =.082, Ak/Ft =.041 | | | | | | 2 Slot Slot Area /Ft =.163, Ak/Ft =.077 | | | | | |
| FPM | CFM/Ft. | Total pressure Inch w.g. | Static pressure Inch w.g. | Throw in feet. | NC | FPM | CFM/Ft. | Total pressure Inch w.g. | Static pressure Inch w.g. | Throw in feet. | NC |
| 50 | 5 | 0.002 | 0.002 | 0-1-4 | ** | 50 | 8 | 0.002 | 0.002 | 1-1-6 | ** |
| 75 | 7 | 0.003 | 0.002 | 1-2-9 | ** | 75 | 12 | 0.003 | 0.003 | 1-3-12 | ** |
| 100 | 9 | 0.004 | 0.003 | 2-4-12 | ** | 100 | 16 | 0.005 | 0.005 | 3-6-16 | ** |
| 150 | 13 | 0.008 | 0.006 | 4-9-16 | ** | 150 | 25 | 0.010 | 0.009 | 6-12-21 | ** |
| 200 | 17 | 0.013 | 0.010 | 7-12-19 | ** | 200 | 32 | 0.018 | 0.015 | 10-16-24 | 8 |
| 300 | 15 | 0.027 | 0.022 | 12-16-23 | ** | 300 | 50 | 0.039 | 0.033 | 16-21-30 | 18 |
| 400 | 33 | 0.048 | 0.038 | 15-19-27 | ** | 400 | 65 | 0.068 | 0.058 | 20-24-34 | 26 |
| 600 | 51 | 0.106 | 0.083 | 19-23-33 | 10 | 600 | 100 | 0.153 | 0.130 | 24-30-42 | 37 |
| 800 | 66 | 0.187 | 0.148 | 22-27-38 | 21 | 800 | 130 | 0.271 | 0.231 | 28-34-48 | 45 |
| 3 Slot Slot Area /Ft =.245, Ak/Ft =.113 | | | | | | 4 Slot Slot Area /Ft =.327, Ak/Ft =.135 | | | | | |
| FPM | CFM/Ft. | Total pressure Inch w.g. | Static pressure Inch w.g. | Throw in feet. | NC | FPM | CFM/Ft. | Total pressure Inch w.g. | Static pressure Inch w.g. | Throw in feet. | NC |
| 50 | 12 | 0.002 | 0.002 | 1-2-7 | ** | 50 | 16 | 0.002 | 0.002 | 1-2-9 | ** |
| 75 | 18 | 0.003 | 0.003 | 2-4-15 | ** | 75 | 25 | 0.004 | 0.003 | 2-5-16 | ** |
| 100 | 25 | 0.005 | 0.005 | 3-7-19 | ** | 100 | 32 | 0.006 | 0.005 | 4-9-19 | ** |
| 150 | 36 | 0.011 | 0.009 | 7-16-23 | ** | 150 | 50 | 0.011 | 0.010 | 9-16-23 | ** |
| 200 | 50 | 0.019 | 0.016 | 13-19-26 | ** | 200 | 65 | 0.019 | 0.017 | 15-19-27 | ** |
| 300 | 74 | 0.040 | 0.035 | 19-23-32 | ** | 300 | 100 | 0.042 | 0.037 | 19-23-33 | ** |
| 400 | 100 | 0.071 | 0.061 | 22-26-37 | ** | 400 | 130 | 0.074 | 0.064 | 22-27-38 | ** |
| 600 | 146 | 0.159 | 0.136 | 26-32-46 | 18 | 600 | 196 | 0.166 | 0.143 | 27-33-46 | 14 |
| 800 | 196 | 0.281 | 0.241 | 31-37-53 | 29 | 800 | 260 | 0.294 | 0.254 | 31-38-54 | 25 |
| 5 Slot Slot Area /Ft =.408, Ak/Ft =.175 | | | | | | 6 Slot Slot Area /Ft =.490, Ak/Ft =.232 | | | | | |
| FPM | CFM/Ft. | Total pressure Inch w.g. | Static pressure Inch w.g. | Throw in feet. | NC | FPM | CFM/Ft. | Total pressure Inch w.g. | Static pressure Inch w.g. | Throw in feet. | NC |
| 50 | 20 | 0.002 | 0.002 | 1-3-11 | ** | 50 | 25 | 0.002 | 0.002 | 1-3-13 | ** |
| 75 | 30 | 0.004 | 0.003 | 3-6-17 | ** | 75 | 36 | 0.004 | 0.003 | 3-7-18 | ** |
| 100 | 40 | 0.007 | 0.005 | 5-11-20 | ** | 100 | 50 | 0.006 | 0.005 | 6-13-21 | ** |
| 150 | 60 | 0.012 | 0.010 | 11-17-25 | ** | 150 | 75 | 0.012 | 0.011 | 13-18-26 | ** |
| 200 | 80 | 0.020 | 0.018 | 16-20-29 | ** | 200 | 100 | 0.021 | 0.018 | 17-21-30 | ** |
| 300 | 122 | 0.044 | 0.039 | 20-25-35 | ** | 300 | 145 | 0.045 | 0.040 | 21-26-36 | 6 |
| 400 | 164 | 0.078 | 0.068 | 23-29-40 | 7 | 400 | 195 | 0.08 | 0.070 | 24-30-42 | 17 |
| 600 | 245 | 0.174 | 0.151 | 29-35-49 | 33 | 600 | 295 | 0.178 | 0.156 | 30-36-51 | 33 |
| 800 | 326 | 0.308 | 0.268 | 33-40-57 | 43 | 800 | 390 | 0.316 | 0.276 | 34-42-59 | 43 |
| 7 Slot Slot Area /Ft =.571, Ak/Ft =.280 | | | | | | 8 Slot Slot Area /Ft =.653, Ak/Ft =.318 | | | | | |
| FPM | CFM/Ft. | Total pressure Inch w.g. | Static pressure Inch w.g. | Throw in feet. | NC | FPM | CFM/Ft. | Total pressure Inch w.g. | Static pressure Inch w.g. | Throw in feet. | NC |
| 50 | 30 | 0.002 | 0.002 | 2-4-14 | ** | 50 | 30 | 0.002 | 0.002 | 2-4-15 | ** |
| 75 | 40 | 0.004 | 0.003 | 4-8-19 | ** | 75 | 50 | 0.004 | 0.003 | 4-10-19 | ** |
| 100 | 55 | 0.006 | 0.005 | 7-14-21 | ** | 100 | 65 | 0.006 | 0.005 | 8-15-22 | ** |
| 150 | 85 | 0.012 | 0.011 | 14-19-26 | ** | 150 | 100 | 0.012 | 0.011 | 15-19-26 | ** |
| 200 | 115 | 0.021 | 0.019 | 17-21-30 | ** | 200 | 130 | 0.021 | 0.018 | 18-22-31 | ** |
| 300 | 170 | 0.046 | 0.040 | 21-26-37 | 7 | 300 | 195 | 0.046 | 0.040 | 22-26-37 | ** |
| 400 | 230 | 0.081 | 0.071 | 25-30-43 | 17 | 400 | 260 | 0.08 | 0.070 | 25-31-43 | ** |
| 600 | 345 | 0.181 | 0.159 | 30-37-52 | 31 | 600 | 390 | 0.179 | 0.157 | 31-37-53 | 20 |
| 800 | 455 | 0.321 | 0.282 | 35-43-61 | 39 | 800 | 520 | 0.318 | 0.278 | 35-43-61 | 31 |

Lineal Slot Diffusers DLA-DLB-DLC/ RLA-RLB-RLC

SPIRO DUCT + FITTINGS + GRILLES + DIFFUSERS + FILTERS + FLEXIBLE DUCT + ACCESORIES

Selection Table RLAA Steel / RLAL Aluminium

1/2" Slot Width, Vertical Throw, No Blades.

| 1 Slot Slot Area /Ft =.040, Ak/Ft =.041 | | | | | | 2 Slot Slot Area /Ft =.082, Ak/Ft =.075 | | | | | |
|---|---------|--------------------------|---------------------------|----------------|----|---|---------|--------------------------|---------------------------|----------------|----|
| FPM | CFM/Ft. | Total pressure Inch w.g. | Static pressure Inch w.g. | Throw in feet. | NC | FPM | CFM/Ft. | Total pressure Inch w.g. | Static pressure Inch w.g. | Throw in feet. | NC |
| 100 | 4 | 0.002 | 0.002 | 1-2-44 | ** | 100 | 8 | 0.002 | 0.002 | 1-1-5 | ** |
| 200 | 8 | 0.006 | 0.003 | 1-2-8 | ** | 200 | 16 | 0.007 | 0.004 | 2-5-13 | ** |
| 300 | 12 | 0.012 | 0.006 | 2-5-13 | ** | 300 | 24 | 0.014 | 0.008 | 5-11-15 | ** |
| 400 | 16 | 0.020 | 0.010 | 4-8-14 | ** | 400 | 32 | 0.024 | 0.014 | 8-13-18 | ** |
| 500 | 20 | 0.031 | 0.016 | 6-11-16 | ** | 500 | 40 | 0.036 | 0.021 | 11-14-20 | ** |
| 600 | 24 | 0.044 | 0.022 | 8-13-18 | ** | 600 | 48 | 0.052 | 0.030 | 13-15-22 | ** |
| 700 | 28 | 0.060 | 0.030 | 11-14-19 | ** | 700 | 56 | 0.070 | 0.040 | 14-17-23 | 10 |
| 800 | 32 | 0.078 | 0.038 | 12-14-20 | 7 | 800 | 65 | 0.092 | 0.052 | 14-18-25 | 14 |
| 1000 | 40 | 0.122 | 0.059 | 13-16-23 | 12 | 1000 | 80 | 0.143 | 0.080 | 16-20-28 | 22 |

| 3 Slot Slot Area /Ft =.122, Ak/Ft =.108 | | | | | | 4 Slot Slot Area /Ft =.163, Ak/Ft =.141 | | | | | |
|---|---------|--------------------------|---------------------------|----------------|----|---|---------|--------------------------|---------------------------|----------------|----|
| FPM | CFM/Ft. | Total pressure Inch w.g. | Static pressure Inch w.g. | Throw in feet. | NC | FPM | CFM/Ft. | Total pressure Inch w.g. | Static pressure Inch w.g. | Throw in feet. | NC |
| 100 | 12 | 0.002 | 0.002 | 1-1-6 | ** | 100 | 16 | 0.003 | 0.002 | 1-2-7 | ** |
| 200 | 24 | 0.007 | 0.004 | 3-6-14 | ** | 200 | 32 | 0.007 | 0.005 | 3-7-14 | ** |
| 300 | 36 | 0.014 | 0.009 | 6-12-17 | ** | 300 | 48 | 0.015 | 0.009 | 7-12-17 | ** |
| 400 | 48 | 0.025 | 0.015 | 11-14-19 | ** | 400 | 65 | 0.025 | 0.016 | 11-14-19 | ** |
| 500 | 60 | 0.038 | 0.022 | 12-15-22 | ** | 500 | 82 | 0.039 | 0.024 | 13-15-22 | ** |
| 600 | 74 | 0.054 | 0.032 | 14-17-24 | 8 | 600 | 98 | 0.056 | 0.034 | 14-17-24 | 9 |
| 700 | 86 | 0.073 | 0.043 | 15-18-25 | 12 | 700 | 114 | 0.076 | 0.045 | 15-18-26 | 14 |
| 800 | 98 | 0.095 | 0.055 | 16-19-27 | 16 | 800 | 130 | 0.099 | 0.059 | 16-19-27 | 19 |
| 1000 | 122 | 0.148 | 0.086 | 18-22-30 | 24 | 1000 | 163 | 0.154 | 0.092 | 18-22-31 | 26 |

| 5 Slot Slot Area /Ft =.204, Ak/Ft =.172 | | | | | | 6 Slot Slot Area /Ft =.246, Ak/Ft =.205 | | | | | |
|---|---------|--------------------------|---------------------------|----------------|----|---|---------|--------------------------|---------------------------|----------------|----|
| FPM | CFM/Ft. | Total pressure Inch w.g. | Static pressure Inch w.g. | Throw in feet. | NC | FPM | CFM/Ft. | Total pressure Inch w.g. | Static pressure Inch w.g. | Throw in feet. | NC |
| 100 | 20 | 0.002 | 0.002 | 1-2-9 | ** | 100 | 24 | 0.002 | 0.002 | 1-3-10 | ** |
| 200 | 40 | 0.007 | 0.004 | 4-9-15 | ** | 200 | 48 | 0.007 | 0.004 | 5-10-15 | ** |
| 300 | 60 | 0.014 | 0.009 | 9-13-18 | ** | 300 | 74 | 0.014 | 0.008 | 10-13-18 | ** |
| 400 | 80 | 0.025 | 0.015 | 12-15-21 | ** | 400 | 98 | 0.024 | 0.014 | 12-15-21 | ** |
| 500 | 102 | 0.038 | 0.022 | 13-16-23 | ** | 500 | 122 | 0.037 | 0.022 | 14-17-24 | ** |
| 600 | 122 | 0.054 | 0.032 | 15-18-25 | 11 | 600 | 146 | 0.053 | 0.031 | 15-18-26 | 11 |
| 700 | 142 | 0.073 | 0.043 | 16-19-27 | 16 | 700 | 170 | 0.072 | 0.041 | 16-20-28 | 16 |
| 800 | 162 | 0.095 | 0.056 | 17-21-29 | 20 | 800 | 196 | 0.094 | 0.054 | 17-21-30 | 21 |
| 1000 | 204 | 0.149 | 0.086 | 19-23-33 | 27 | 1000 | 244 | 0.146 | 0.081 | 19-24-34 | 28 |

| 7 Slot Slot Area /Ft =.287, Ak/Ft =.238 | | | | | | 8 Slot Slot Area /Ft =.328, Ak/Ft =.270 | | | | | |
|---|---------|--------------------------|---------------------------|----------------|----|---|---------|--------------------------|---------------------------|----------------|----|
| FPM | CFM/Ft. | Total pressure Inch w.g. | Static pressure Inch w.g. | Throw in feet. | NC | FPM | CFM/Ft. | Total pressure Inch w.g. | Static pressure Inch w.g. | Throw in feet. | NC |
| 100 | 28 | 0.003 | 0.002 | 1-3-10 | ** | 100 | 32 | 0.002 | 0.002 | 1-3-10 | ** |
| 200 | 56 | 0.007 | 0.005 | 5-10-15 | ** | 200 | 65 | 0.007 | 0.004 | 5-10-15 | ** |
| 300 | 84 | 0.015 | 0.009 | 10-13-18 | ** | 300 | 98 | 0.014 | 0.008 | 10-13-18 | ** |
| 400 | 114 | 0.026 | 0.016 | 12-15-21 | ** | 400 | 130 | 0.024 | 0.014 | 12-15-21 | ** |
| 500 | 142 | 0.039 | 0.024 | 14-17-24 | ** | 500 | 162 | 0.037 | 0.022 | 14-17-23 | 7 |
| 600 | 170 | 0.056 | 0.034 | 15-18-26 | 12 | 600 | 196 | 0.053 | 0.031 | 15-18-26 | 13 |
| 700 | 200 | 0.076 | 0.046 | 16-20-28 | 17 | 700 | 228 | 0.072 | 0.041 | 16-20-28 | 19 |
| 800 | 228 | 0.099 | 0.060 | 17-21-30 | 22 | 800 | 260 | 0.094 | 0.054 | 17-21-30 | 23 |
| 1000 | 286 | 0.155 | 0.093 | 19-24-34 | 30 | 1000 | 326 | 0.146 | 0.084 | 19-23-33 | 31 |

Lineal Slot Diffusers DLA-DLB-DLC/ RLA-RLB-RLC

SPIRO DUCT + FITTINGS + GRILLES + DIFFUSERS + FILTERS + FLEXIBLE DUCT + ACCESORIES

Selection Table RLBA Steel / RLBL Aluminium

3/4" Slot Width, Vertical Throw , No Blades.

| 1 Slot Slot Area /Ft =.061, Ak/Ft =.096 | | | | | | 2 Slot Slot Area /Ft =.061, Ak/Ft =.096 | | | | | |
|---|---------|--------------------------|---------------------------|----------------|----|---|---------|--------------------------|---------------------------|----------------|----|
| FPM | CFM/Ft. | Total pressure Inch w.g. | Static pressure Inch w.g. | Throw in feet. | NC | FPM | CFM/Ft. | Total pressure Inch w.g. | Static pressure Inch w.g. | Throw in feet. | NC |
| 50 | 3 | 0.000 | 0.000 | 0-0-2 | ** | 50 | 6 | 0.000 | 0.000 | 1-1-2 | ** |
| 75 | 4 | 0.002 | 0.000 | 0-1-3 | ** | 75 | 9 | 0.002 | 0.000 | 1-1-5 | ** |
| 100 | 6 | 0.002 | 0.002 | 1-2-6 | ** | 100 | 12 | 0.002 | 0.002 | 1-2-9 | ** |
| 150 | 9 | 0.004 | 0.003 | 2-3-10 | ** | 150 | 18 | 0.004 | 0.003 | 2-5-14 | ** |
| 200 | 12 | 0.006 | 0.004 | 3-6-12 | ** | 200 | 24 | 0.007 | 0.004 | 4-9-17 | ** |
| 300 | 18 | 0.013 | 0.007 | 6-10-15 | ** | 300 | 36 | 0.014 | 0.008 | 9-14-21 | ** |
| 400 | 24 | 0.022 | 0.012 | 9-12-17 | ** | 400 | 50 | 0.023 | 0.014 | 12-17-24 | ** |
| 600 | 36 | 0.048 | 0.026 | 12-15-21 | 5 | 600 | 74 | 0.052 | 0.029 | 17-21-30 | 6 |
| 1000 | 60 | 0.132 | 0.069 | 16-19-27 | 18 | 1000 | 122 | 0.141 | 0.079 | 22-27-38 | 24 |

| 3 Slot Slot Area /Ft =.184, Ak/Ft =.164 | | | | | | 4 Slot Slot Area /Ft =.244, Ak/Ft =.216 | | | | | |
|---|---------|--------------------------|---------------------------|----------------|----|---|---------|--------------------------|---------------------------|----------------|----|
| FPM | CFM/Ft. | Total pressure Inch w.g. | Static pressure Inch w.g. | Throw in feet. | NC | FPM | CFM/Ft. | Total pressure Inch w.g. | Static pressure Inch w.g. | Throw in feet. | NC |
| 50 | 9 | 0.000 | 0.000 | 0-1-3 | ** | 50 | 12 | 0.000 | 0.000 | 0-1-4 | ** |
| 75 | 14 | 0.002 | 0.000 | 1-2-7 | ** | 75 | 18 | 0.002 | 0.000 | 1-2-8 | ** |
| 100 | 18 | 0.002 | 0.002 | 1-3-11 | ** | 100 | 24 | 0.002 | 0.002 | 2-4-12 | ** |
| 150 | 28 | 0.004 | 0.003 | 3-7-14 | ** | 150 | 36 | 0.004 | 0.003 | 4-8-14 | ** |
| 200 | 36 | 0.007 | 0.004 | 6-11-16 | ** | 200 | 50 | 0.007 | 0.004 | 7-12-17 | ** |
| 300 | 55 | 0.014 | 0.008 | 11-14-20 | ** | 300 | 74 | 0.014 | 0.008 | 12-14-20 | ** |
| 400 | 74 | 0.024 | 0.014 | 13-16-23 | ** | 400 | 98 | 0.024 | 0.014 | 14-17-24 | ** |
| 600 | 110 | 0.053 | 0.030 | 16-20-28 | 8 | 600 | 146 | 0.053 | 0.030 | 17-20-29 | 11 |
| 1000 | 184 | 0.145 | 0.082 | 21-26-37 | 26 | 1000 | 244 | 0.144 | 0.082 | 21-26-37 | 28 |

| 5 Slot Slot Area /Ft =.305, Ak/Ft =.267 | | | | | | 6 Slot Slot Area /Ft =.367, Ak/Ft =.318 | | | | | |
|---|---------|--------------------------|---------------------------|----------------|----|---|---------|--------------------------|---------------------------|----------------|----|
| FPM | CFM/Ft. | Total pressure Inch w.g. | Static pressure Inch w.g. | Throw in feet. | NC | FPM | CFM/Ft. | Total pressure Inch w.g. | Static pressure Inch w.g. | Throw in feet. | NC |
| 50 | 15 | 0.000 | 0.000 | 1-1-5 | ** | 50 | 18 | 0.000 | 0.000 | 1-1-6 | ** |
| 75 | 23 | 0.002 | 0.000 | 1-3-10 | ** | 75 | 28 | 0.002 | 0.000 | 1-3-11 | ** |
| 100 | 30 | 0.002 | 0.002 | 2-5-12 | ** | 100 | 37 | 0.002 | 0.002 | 2-6-13 | ** |
| 150 | 46 | 0.004 | 0.003 | 5-10-15 | ** | 150 | 55 | 0.004 | 0.003 | 6-11-16 | ** |
| 200 | 60 | 0.007 | 0.004 | 8-12-18 | ** | 200 | 74 | 0.006 | 0.004 | 10-13-18 | ** |
| 300 | 92 | 0.014 | 0.007 | 12-15-22 | ** | 300 | 110 | 0.013 | 0.007 | 13-16-22 | ** |
| 400 | 122 | 0.023 | 0.013 | 14-18-25 | ** | 400 | 147 | 0.022 | 0.012 | 15-18-26 | ** |
| 600 | 184 | 0.052 | 0.029 | 18-22-31 | 13 | 600 | 220 | 0.048 | 0.026 | 17-22-32 | 13 |
| 1000 | 306 | 0.141 | 0.079 | 23-18-39 | 29 | 1000 | 367 | 0.132 | 0.069 | 24-29-41 | 31 |

| 7 Slot Slot Area /Ft =.469, Ak/Ft =.369 | | | | | | 8 Slot Slot Area /Ft =.530, Ak/Ft =.420 | | | | | |
|---|---------|--------------------------|---------------------------|----------------|----|---|---------|--------------------------|---------------------------|----------------|----|
| FPM | CFM/Ft. | Total pressure Inch w.g. | Static pressure Inch w.g. | Throw in feet. | NC | FPM | CFM/Ft. | Total pressure Inch w.g. | Static pressure Inch w.g. | Throw in feet. | NC |
| 50 | 24 | 0.000 | 0.000 | 1-2-6 | ** | 50 | 26 | 0.000 | 0.000 | 1-2-7 | ** |
| 75 | 35 | 0.002 | 0.000 | 2-4-12 | ** | 75 | 40 | 0.002 | 0.000 | 2-4-12 | ** |
| 100 | 47 | 0.002 | 0.002 | 3-6-14 | ** | 100 | 53 | 0.002 | 0.002 | 3-7-14 | ** |
| 150 | 70 | 0.004 | 0.003 | 6-12-17 | ** | 150 | 80 | 0.004 | 0.002 | 7-12-17 | ** |
| 200 | 94 | 0.006 | 0.004 | 10-14-19 | ** | 200 | 106 | 0.006 | 0.004 | 10-14-19 | ** |
| 300 | 140 | 0.013 | 0.008 | 14-17-24 | ** | 300 | 159 | 0.012 | 0.007 | 14-17-23 | ** |
| 400 | 188 | 0.023 | 0.013 | 16-19-27 | ** | 400 | 212 | 0.021 | 0.011 | 16-19-27 | ** |
| 600 | 282 | 0.050 | 0.028 | 19-24-34 | 14 | 600 | 318 | 0.046 | 0.024 | 19-23-33 | 20 |
| 1000 | 469 | 0.138 | 0.076 | 25-31-43 | 32 | 1000 | 530 | 0.127 | 0.065 | 25-30-43 | 38 |

Lineal Slot Diffusers DLA-DLB-DLC/ RLA-RLB-RLC

SPIRO DUCT + FITTINGS + GRILLES + DIFFUSERS + FILTERS + FLEXIBLE DUCT + ACCESORIES

Selection Table RLCA Steel / RLCL Aluminium

1" Slot Width, Vertical Throw, No Blades.

| 1 Slot Slot Area /Ft =.082, Ak/Ft =.150 | | | | | | 2 Slot Slot Area /Ft =.163, Ak/Ft =.186 | | | | | |
|---|---------|--------------------------|---------------------------|----------------|----|---|---------|--------------------------|---------------------------|----------------|----|
| FPM | CFM/Ft. | Total pressure Inch w.g. | Static pressure Inch w.g. | Throw in feet. | NC | FPM | CFM/Ft. | Total pressure Inch w.g. | Static pressure Inch w.g. | Throw in feet. | NC |
| 50 | 4 | 0.000 | 0.000 | 0-1-3 | ** | 50 | 8 | 0.000 | 0.000 | 0-1-4 | ** |
| 75 | 6 | 0.002 | 0.000 | 1-2-6 | ** | 75 | 12 | 0.002 | 0.000 | 1-2-9 | ** |
| 100 | 8 | 0.002 | 0.002 | 1-3-8 | ** | 100 | 16 | 0.002 | 0.002 | 2-4-12 | ** |
| 150 | 12 | 0.004 | 0.003 | 3-6-12 | ** | 150 | 25 | 0.004 | 0.003 | 4-9-15 | ** |
| 200 | 16 | 0.006 | 0.004 | 5-8-13 | ** | 200 | 32 | 0.007 | 0.004 | 7-12-17 | ** |
| 300 | 25 | 0.013 | 0.008 | 8-12-16 | ** | 300 | 50 | 0.014 | 0.008 | 12-15-21 | ** |
| 400 | 32 | 0.023 | 0.013 | 11-13-19 | ** | 400 | 65 | 0.023 | 0.013 | 14-17-24 | ** |
| 600 | 50 | 0.050 | 0.028 | 13-16-23 | 12 | 600 | 100 | 0.051 | 0.029 | 17-21-30 | 8 |
| 800 | 65 | 0.088 | 0.048 | 15-19-27 | 17 | 800 | 130 | 0.090 | 0.050 | 20-24-34 | 19 |
| 3Slot Slot Area /Ft =.245, Ak/Ft =.220 | | | | | | 4 Slot Slot Area /Ft =.327, Ak/Ft =.292 | | | | | |
| FPM | CFM/Ft. | Total pressure Inch w.g. | Static pressure Inch w.g. | Throw in feet. | NC | FPM | CFM/Ft. | Total pressure Inch w.g. | Static pressure Inch w.g. | Throw in feet. | NC |
| 50 | 12 | 0.000 | 0.000 | 1-1-5 | ** | 50 | 16 | 0.000 | 0.000 | 1-2-6 | ** |
| 75 | 18 | 0.002 | 0.000 | 1-3-11 | ** | 75 | 25 | 0.002 | 0.000 | 2-3-12 | ** |
| 100 | 25 | 0.002 | 0.002 | 2-5-13 | ** | 100 | 32 | 0.002 | 0.002 | 3-6-13 | ** |
| 150 | 36 | 0.004 | 0.003 | 5-11-16 | ** | 150 | 50 | 0.004 | 0.003 | 6-12-16 | ** |
| 200 | 50 | 0.007 | 0.004 | 9-13-19 | ** | 200 | 65 | 0.007 | 0.004 | 11-13-19 | ** |
| 300 | 75 | 0.014 | 0.008 | 13-16-23 | ** | 300 | 100 | 0.014 | 0.008 | 13-16-23 | ** |
| 400 | 100 | 0.024 | 0.014 | 15-19-26 | ** | 400 | 130 | 0.023 | 0.013 | 15-19-27 | ** |
| 600 | 147 | 0.052 | 0.030 | 19-23-32 | 10 | 600 | 195 | 0.051 | 0.029 | 19-23-33 | 13 |
| 800 | 195 | 0.092 | 0.052 | 22-26-37 | 20 | 800 | 260 | 0.090 | 0.050 | 22-27-38 | 23 |
| 5 Slot Slot Area /Ft =.408, Ak/Ft =.363 | | | | | | 6 Slot Slot Area /Ft =.490, Ak/Ft =.412 | | | | | |
| FPM | CFM/Ft. | Total pressure Inch w.g. | Static pressure Inch w.g. | Throw in feet. | NC | FPM | CFM/Ft. | Total pressure Inch w.g. | Static pressure Inch w.g. | Throw in feet. | NC |
| 50 | 20 | 0.000 | 0.000 | 1-2-7 | ** | 50 | 25 | 0.000 | 0.000 | 1-2-9 | ** |
| 75 | 30 | 0.002 | 0.000 | 2-4-12 | ** | 75 | 36 | 0.002 | 0.000 | 2-5-13 | ** |
| 100 | 40 | 0.002 | 0.002 | 3-7-14 | ** | 100 | 50 | 0.002 | 0.002 | 4-9-15 | ** |
| 150 | 60 | 0.004 | 0.003 | 7-12-17 | ** | 150 | 74 | 0.004 | 0.002 | 9-13-18 | ** |
| 200 | 80 | 0.007 | 0.004 | 12-14-20 | ** | 200 | 100 | 0.006 | 0.003 | 12-15-21 | ** |
| 300 | 122 | 0.013 | 0.008 | 14-17-25 | ** | 300 | 147 | 0.012 | 0.007 | 15-18-26 | ** |
| 400 | 165 | 0.023 | 0.013 | 16-20-29 | ** | 400 | 195 | 0.021 | 0.011 | 17-21-30 | ** |
| 600 | 245 | 0.051 | 0.028 | 20-25-35 | 16 | 600 | 295 | 0.046 | 0.023 | 21-26-36 | 15 |
| 800 | 325 | 0.089 | 0.049 | 23-29-40 | 25 | 800 | 390 | 0.081 | 0.041 | 24-30-42 | 25 |
| 7 Slot Slot Area /Ft =.571, Ak/Ft =.500 | | | | | | 8 Slot Slot Area /Ft =.653, Ak/Ft =.570 | | | | | |
| FPM | CFM/Ft. | Total pressure Inch w.g. | Static pressure Inch w.g. | Throw in feet. | NC | FPM | CFM/Ft. | Total pressure Inch w.g. | Static pressure Inch w.g. | Throw in feet. | NC |
| 50 | 30 | 0.000 | 0.000 | 1-3-10 | ** | 50 | 35 | 0.000 | 0.000 | 1-3-11 | ** |
| 75 | 42 | 0.002 | 0.000 | 3-6-13 | ** | 75 | 50 | 0.002 | 0.000 | 3-7-13 | ** |
| 100 | 57 | 0.002 | 0.002 | 5-10-15 | ** | 100 | 65 | 0.002 | 0.000 | 5-11-15 | ** |
| 150 | 85 | 0.004 | 0.002 | 10-13-19 | ** | 150 | 100 | 0.003 | 0.002 | 11-13-19 | ** |
| 200 | 115 | 0.006 | 0.003 | 12-15-21 | ** | 200 | 130 | 0.005 | 0.003 | 12-15-22 | ** |
| 300 | 170 | 0.011 | 0.006 | 15-19-26 | ** | 300 | 195 | 0.011 | 0.005 | 15-19-26 | ** |
| 400 | 230 | 0.019 | 0.009 | 17-21-30 | ** | 400 | 260 | 0.018 | 0.008 | 18-22-31 | ** |
| 600 | 345 | 0.043 | 0.020 | 21-26-37 | 16 | 600 | 390 | 0.040 | 0.017 | 22-26-37 | 19 |
| 800 | 455 | 0.075 | 0.035 | 25-30-43 | 27 | 800 | 525 | 0.070 | 0.030 | 25-31-43 | 30 |