

## Round Fittings COSPC

SPIRO DUCT + FITTINGS + GRILLES + DIFFUSERS + FILTERS + FLEXIBLE DUCT + ACCESORIES

Conical spin with damper

### 1 Principal Features

**Materials:**

Galvanized steel (Minimum G60 Galvanized)

**Finish:**

Made of 24 to 28 gauge galvanized steel

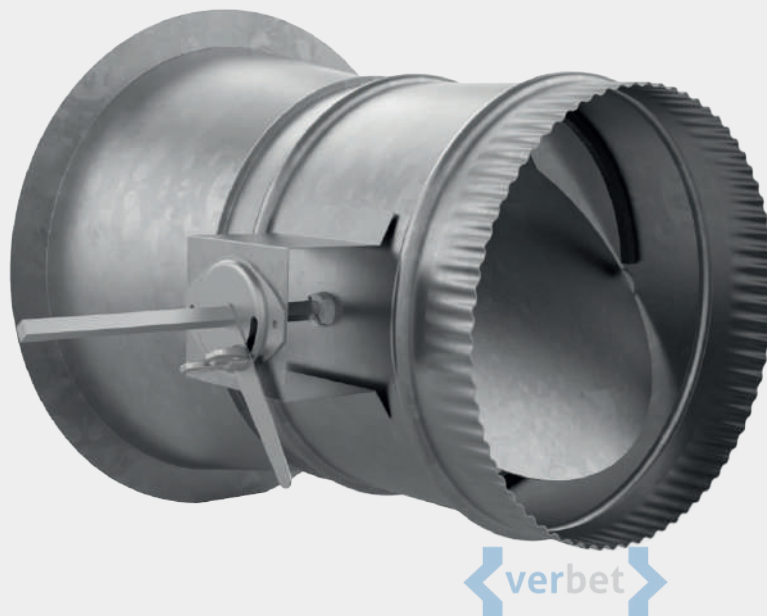
**Applications:**

Ideal for any system air conditioning or ventilation at level residential or commercial or industrial.

**Sizes:**

available in dimensions from 6" up to 20" in 2" intervals

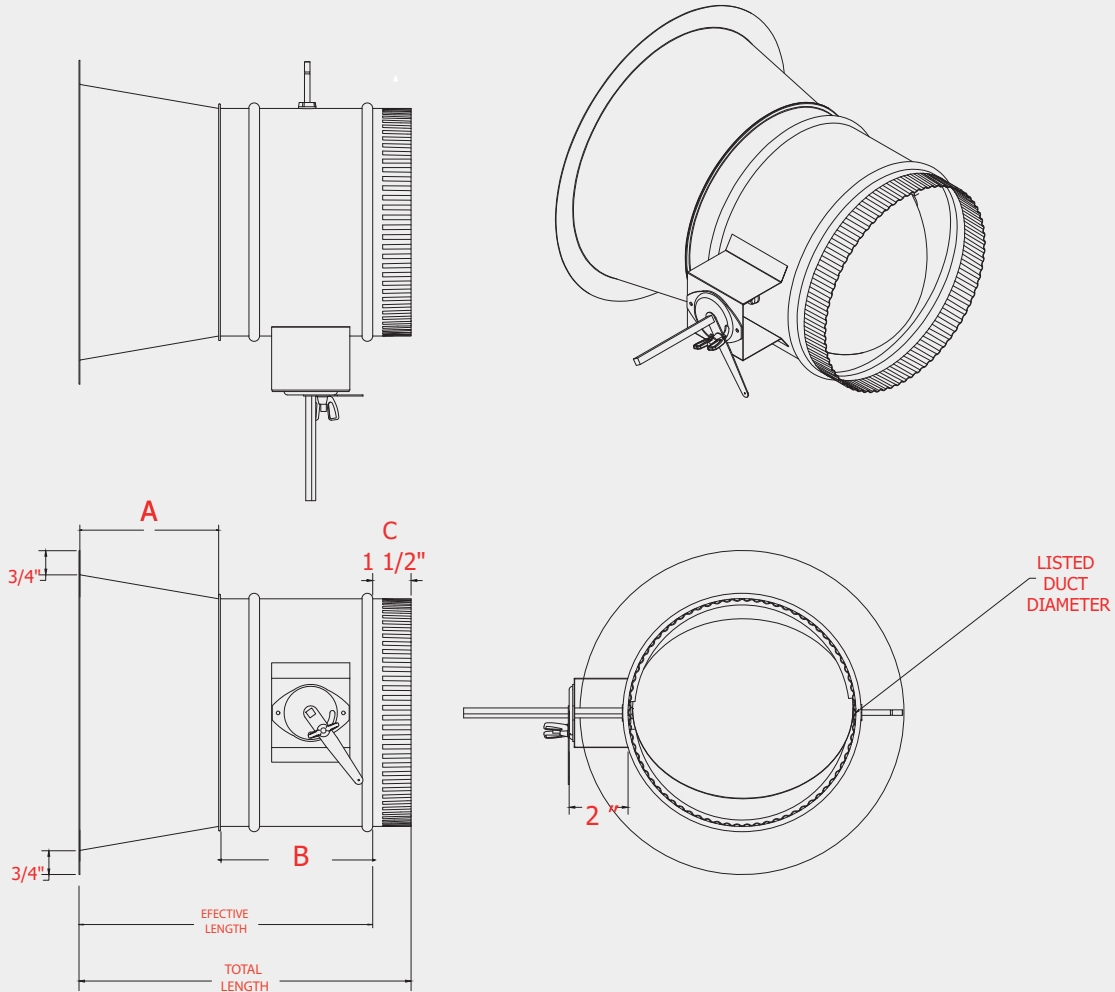
### 2 Views



## Round Fittings COSPC

SPIRO DUCT + FITTINGS + GRILLES + DIFFUSERS + FILTERS + FLEXIBLE DUCT + ACCESORIES

### 2 Views



DIAMETER	(A) LENGTH BTA	(B) LENGTH COM	A+B EFFECTIVE LENGTH	(C)	A + B + C = TOTAL LENGTH
6	5 1/4"	4 5/8"	9 7/8"	1 1/2"	11 3/8"
8	5 1/4"	5 5/8"	10 7/8"	1 1/2"	12 3/8"
10	5 1/4"	7 5/8"	12 7/8"	1 1/2"	14 3/8"
12	5 1/4"	6 3/8"	11 5/8"	1 1/2"	13 1/8"
14	5 1/4"	8 3/8"	13 5/8"	1 1/2"	15 1/8"
16	5 1/4"	10 3/8"	15 5/8"	1 1/2"	17 1/8"
18	5 1/4"	12 3/8"	17 5/8"	1 1/2"	19 1/8"
20	5 1/4"	14 3/8"	19 5/8"	1 1/2"	21 1/8"