

## Distribution Drop Plenum Box CMI4-CMI6

SPIRO DUCT + FITTINGS + GRILLES + DIFFUSERS + FILTERS + FLEXIBLE DUCT + ACCESORIES

6 or 4 - way distribution drop plenum box for industrial or commercial applications. Standard construction is from galvanized steel with optional insulation . Manufactured with an interior china hat for air distribution efficiency

### 1 Principal Features

**Materials:**

Manufactured in 20 gauge galvanized steel.

**Finish:**

Bright White (standard). (With options in other colors)

**Applications:**

Designed for applications in industrial buildings or shopping malls.

**Sizes:**

\* **NOTE:** Grids (ITA / ID2) are quoted separately.

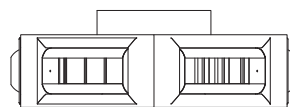
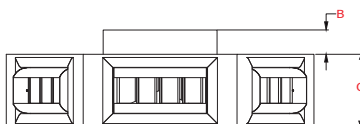
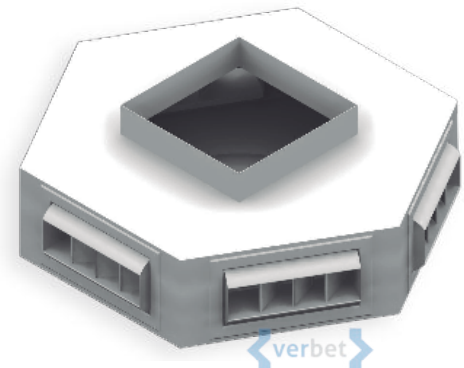
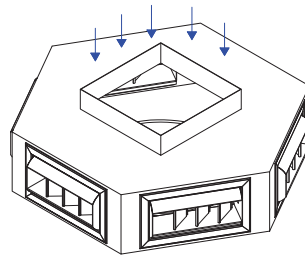
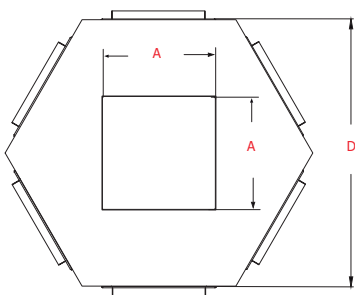
\*Option in square feed neck model CMI4R and CMI6R (no extra charge)

\* Option with 4 way mod.CMI4

\* Option with circular feed collar modelo CMI4C and CMI6C (no extra charge)

\* Option with 6 way mod.CMI6

### 2 Views

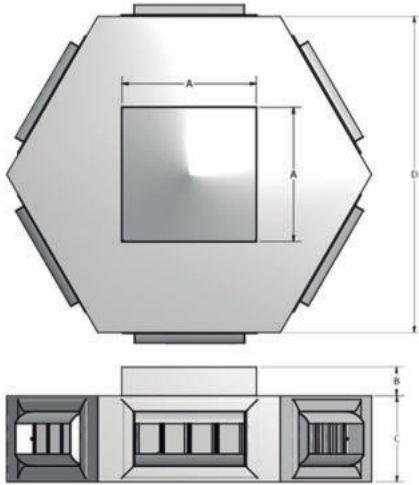


**PACKAGING:**  
Airtight plastic packaging for fixing screws.

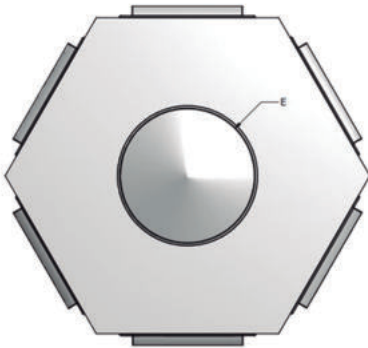
## Distribution Drop Plenum Box CMI4-CMI6

SPIRO DUCT + FITTINGS + GRILLES + DIFFUSERS + FILTERS + FLEXIBLE DUCT + ACCESORIES

### 3 CMI6



Square neck dimensions				Grille Size
A	B	C	D	
14"	3"	12"	34"	12" x 8"
16"	3"	12"	41"	16" x 8"
18"	3"	12"	44"	18" x 8"
20"	3"	14"	34"	12" x 10"
22"	3"	14"	37"	14" x 10"
24"	3"	14"	44"	18" x 10"
28"	3"	16"	41"	16" x 12"
30"	3"	16"	48"	20" x 12"
36"	3"	16"	54"	24" x 12"
38"	3"	18"	48"	20" x 14"
40"	3"	18"	65"	30" x 14"
44"	3"	18"	75"	36" x 14"



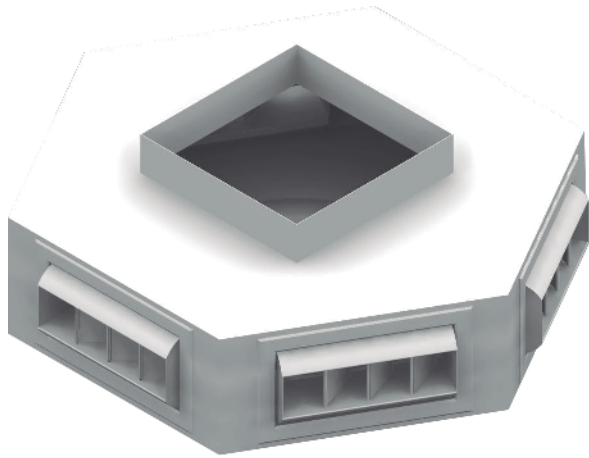
Round neck dimensions				Grille Size
E	B	C	D	
16"	13 - 3/4"	12"	34"	12" x 8"
18"	13 - 3/4"	12"	41"	16" x 8"
20"	13 - 3/4"	12"	44"	18" x 8"
22"	13 - 3/4"	14"	34"	12" x 10"
24"	13 - 3/4"	14"	37"	14" x 10"
26"	13 - 3/4"	14"	44"	18" x 10"
32"	13 - 3/4"	16"	41"	16" x 12"
34"	13 - 3/4"	16"	48"	20" x 12"
40"	13 - 3/4"	16"	54"	24" x 12"
42"	13 - 3/4"	18"	48"	20" x 14"
44"	13 - 3/4"	18"	65"	30" x 14"
48"	13 - 3/4"	18"	75"	36" x 14"

## Distribution Drop Plenum Box CMI4-CMI6

SPIRO DUCT + FITTINGS + GRILLES + DIFFUSERS + FILTERS + FLEXIBLE DUCT + ACCESORIES

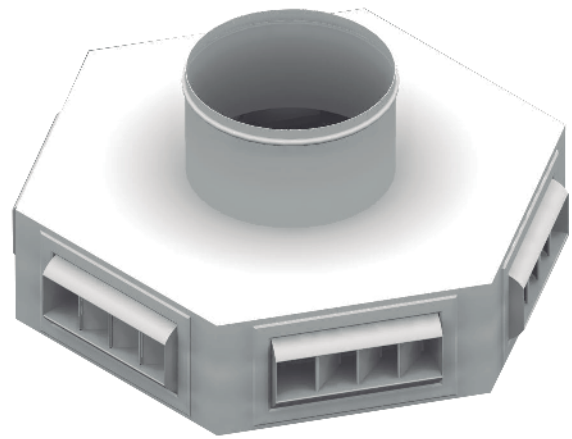
### CMI6R with ITA model installed

Grids are quoted separately.



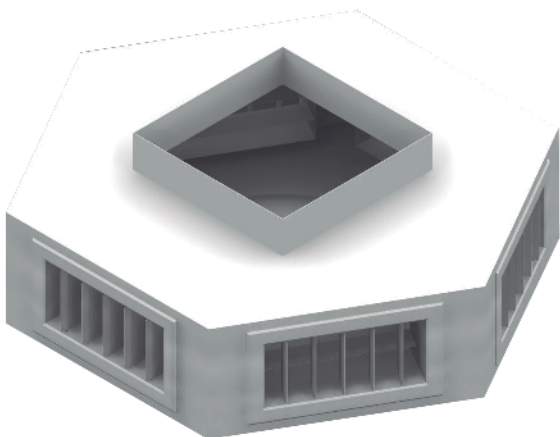
### CMI6C with ITA model installed

Grids are quoted separately.



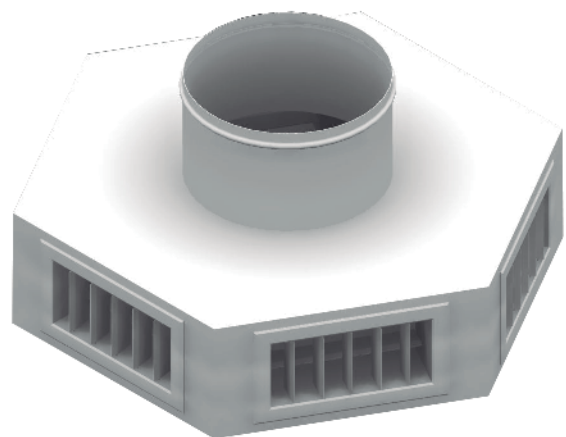
### CMI6R with ID2 model installed

Grids are quoted separately.



### CMI6C with ID2 model installed

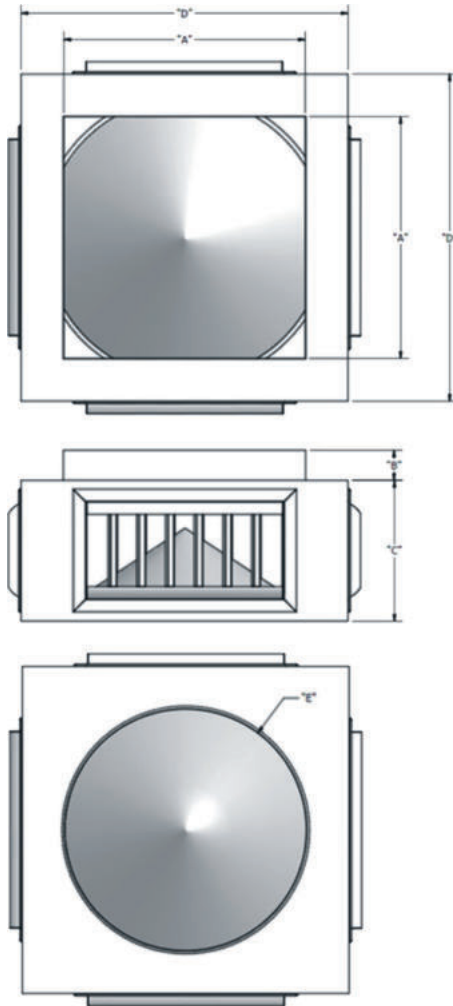
Grids are quoted separately.



## Distribution Drop Plenum Box CMI4-CMI6

SPIRO DUCT + FITTINGS + GRILLES + DIFFUSERS + FILTERS + FLEXIBLE DUCT + ACCESORIES

### CMI4



Square neck dimensions				Grille Size
A	B	C	D	
14"	3"	12"	22-1/2"	12" x 8"
16"	3"	12"	24-1/2"	16" x 8"
18"	3"	12"	26-1/2"	12" x 10"
20"	3"	14"	28-1/2"	14" x 10"
22"	3"	14"	30-1/2"	16" x 10"
24"	3"	14"	32-1/2"	20" x 10"
28"	3"	16"	36-1/2"	18" x 12"
32"	3"	16"	40-1/2"	24" x 12"
36"	3"	16"	44-1/2"	30" x 12"
38"	3"	18"	46-1/2"	30" x 14"
40"	3"	18"	48-1/2"	40" x 14"
44"	3"	18"	56"	48" x 14"

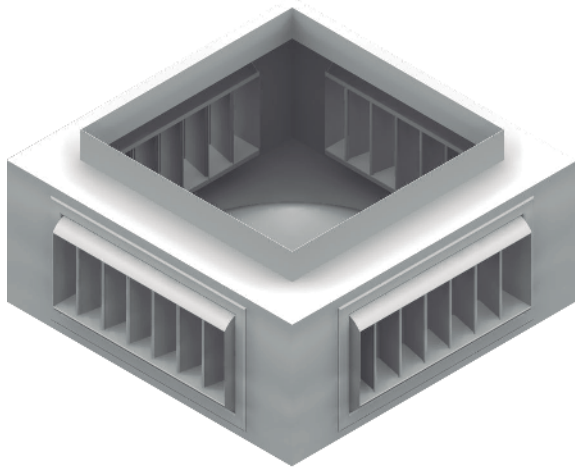
Round neck dimensions				Grille Size
E	B	C	D	
16"	13 - 3/4"	12"	24-1/2"	12" x 8"
18"	13 - 3/4"	12"	26-1/2"	16" x 8"
20"	13 - 3/4"	14"	28-1/2"	12" x 10"
22"	13 - 3/4"	14"	30-1/2"	14" x 10"
24"	13 - 3/4"	14"	36-1/2"	16" x 10"
26"	13 - 3/4"	14"	34-1/2"	20" x 10"
32"	13 - 3/4"	16"	40-1/2"	18" x 12"
34"	13 - 3/4"	16"	42-1/2"	24" x 12"
40"	13 - 3/4"	16"	48-1/2"	30" x 12"
42"	13 - 3/4"	18"	50-1/2"	30" x 14"
44"	13 - 3/4"	18"	52-1/2"	40" x 14"
48"	13 - 3/4"	18"	56-1/2"	48" x 14"

## Distribution Drop Plenum Box CMI4-CMI6

SPIRO DUCT + FITTINGS + GRILLES + DIFFUSERS + FILTERS + FLEXIBLE DUCT + ACCESORIES

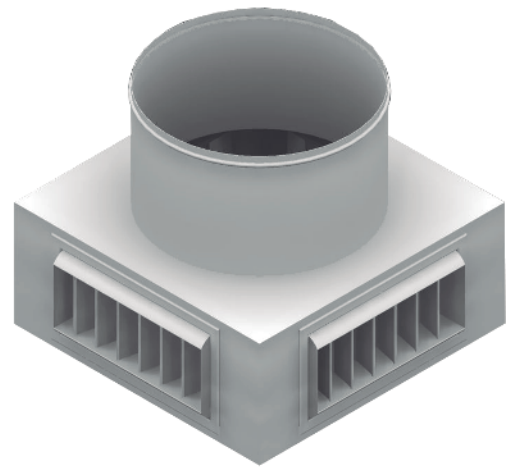
### CMI4R with ITA model installed

Grids are quoted separately.



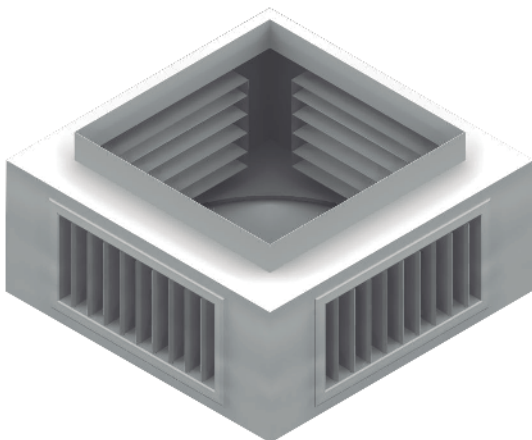
### CMI4C with ITA model installed

Grids are quoted separately.



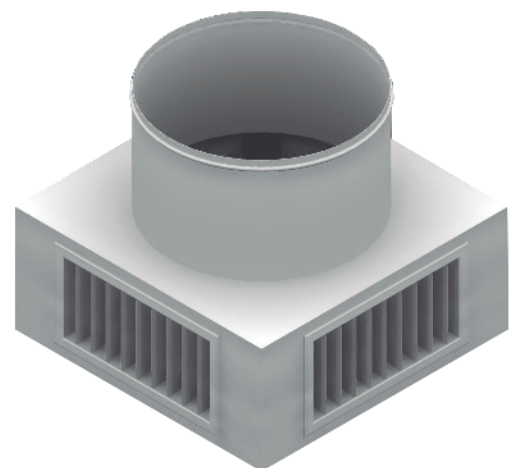
### CMI4R with ID2 model installed

Grids are quoted separately.



### CMI4C with I model installed

Grids are quoted separately.



## Distribution Drop Plenum Box CMI4-CMI6

SPIRO DUCT + FITTINGS + GRILLES + DIFFUSERS + FILTERS + FLEXIBLE DUCT + ACCESORIES

### 4 Distribution Box

SELECTION AND PERFORMANCE CHARTS					
NECK DIAMETER	PCM	THROW	NC	VELOCITY PRESSURE	TOTAL PRESSURE
16"	2000	22, 29 Y 41	22	0.0624	0.067
18"	2400	22, 29 Y 41	19	0.0491	0.053
20"	3000	23, 30 Y 42	19	0.0766	0.080
22"	3400	25, 33 Y 47	25	0.0667	0.073
24"	4000	28, 36 Y 51	31	0.0776	0.071
26"	5000	30, 39 Y 55	32	0.0840	0.082
32"	6000	33, 44 Y 62	33	0.0797	0.095
34"	8000	41, 54 Y 77	33	0.0791	0.087
40"	10000	43, 56 Y 80	28	0.0657	0.091
42"	12000	48, 63 Y 89	29	0.0731	0.091
44"	16000	55, 72 Y 102	35	0.0776	0.086
48"	20000	63, 83 Y 118	37	0.0855	0.089

SELECTION AND PERFORMANCE CHARTS					
SQUARE NECK	PCM	THROW	NC	VELOCITY PRESSURE	TOTAL PRESSURE
14"	2000	22, 29 Y 41	22	0.0624	0.067
16"	2400	22, 29 Y 41	19	0.0491	0.053
18"	3000	23, 30 Y 42	19	0.0766	0.080
20"	3400	25, 33 Y 47	25	0.0667	0.073
22"	4000	28, 36 Y 51	31	0.0776	0.071
24"	5000	30, 39 Y 55	32	0.0840	0.082
28"	6000	33, 44 Y 62	33	0.0797	0.095
32"	8000	41, 54 Y 77	33	0.0791	0.087
36"	10000	43, 56 Y 80	28	0.0657	0.091
38"	12000	48, 63 Y 89	29	0.0731	0.091
40"	16000	55, 72 Y 102	35	0.0776	0.086
44"	20000	63, 83 Y 118	37	0.0855	0.089

Throw: For terminal velocities of 150, 100 and 50 ft/min (fpm), respectively.

NC: Noise criterion

Velocity Pressure in inches of water.

Total pressure in inches of water at 0° deflection.