

## Supply Grilles TMLA Steel / TMLL Aluminium

SPIRO DUCT + FITTINGS + GRILLES + DIFFUSERS + FILTERS + FLEXIBLE DUCT + ACCESORIES

Stamped diffuser, 3-way deflection with square frame. Face with 1/2" spaced fixed fins and multi-shutter valve on the back. Excellent value and aesthetics. Used for ceiling or sidewall installations. Ideal for shallow duct installations.

### 1 Principal Features

**Materials:**

Available in steel TMLA and Aluminum TMLL .

**Finish:**

Baked electrostatic powder paint (polyester) bright white standard.

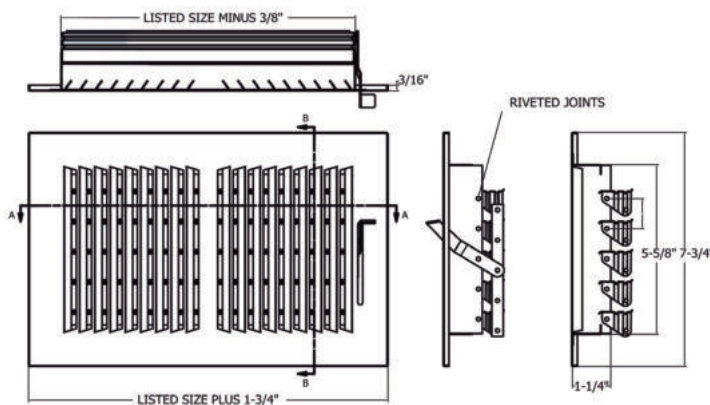
**Applications:**

For ceiling in offices, banks, hospitals, residences, etc.

**Sizes:**

Available in 6" height and 8", 10", 12", 14" and 16" width

### 2 Views



**PACKAGING:**  
Airtight plastic packaging for fixing screws.

## Supply Grilles TMLA Steel / TMLL Aluminium

SPIRO DUCT + FITTINGS + GRILLES + DIFFUSERS + FILTERS + FLEXIBLE DUCT + ACCESORIES

### 3 Mounting

