

Return Grilles RPCA Steel / RPCL Aluminium

SPIRO DUCT + FITTINGS + GRILLES + DIFFUSERS + FILTERS + FLEXIBLE DUCT + ACCESORIES

Non-Vision return grille / door step or walls built with steel and fins type «V» fixed parallel to the long dimension. It also has adjustable trim for doors up to a minimum of 1-1 / 8 «thick. This model is designed for areas where the free passage of air is required through the accessory, but with zero visibility. (Option in aluminum mod. RPCL)

1 Principal Features

Materials:

Made entirely of steel profiles. Also available in Aluminum mod.RPCL

Finish:

Bright White (standard). (With options in other colors)

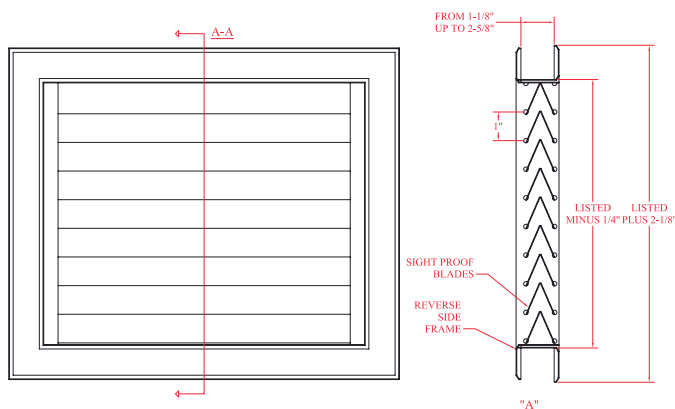
Applications:

Ideal conditions in private or visual restrictions as offices or public baths areas.

Sizes:

Available in sizes pairs from 8" X 6" to 36" X 16"

2 Views



PACKAGING:
Airtight plastic packaging for fixing screws.

Return Grilles RPCA Steel / RPCL Aluminium

SPIRO DUCT + FITTINGS + GRILLES + DIFFUSERS + FILTERS + FLEXIBLE DUCT + ACCESORIES

3 Mounting

