

Return Grilles RHFA Steel / RHFL Aluminium

SPIRO DUCT + FITTINGS + GRILLES + DIFFUSERS + FILTERS + FLEXIBLE DUCT + ACCESORIES

Return grille filter holder built with steel and curved fins fixed at 45 ° parallel to the longest dimension deflection. This model has a filter holder frame and a folding frame for easy access to the receiving filter box, which can accommodate a filter up to 1" thick. (option in aluminum mod. RHFL).

1 Principal Features

Materials:

Made in Steel profiles option RHFL Aluminum model.

Finish:

Bright White (standard). (With options in other colors)

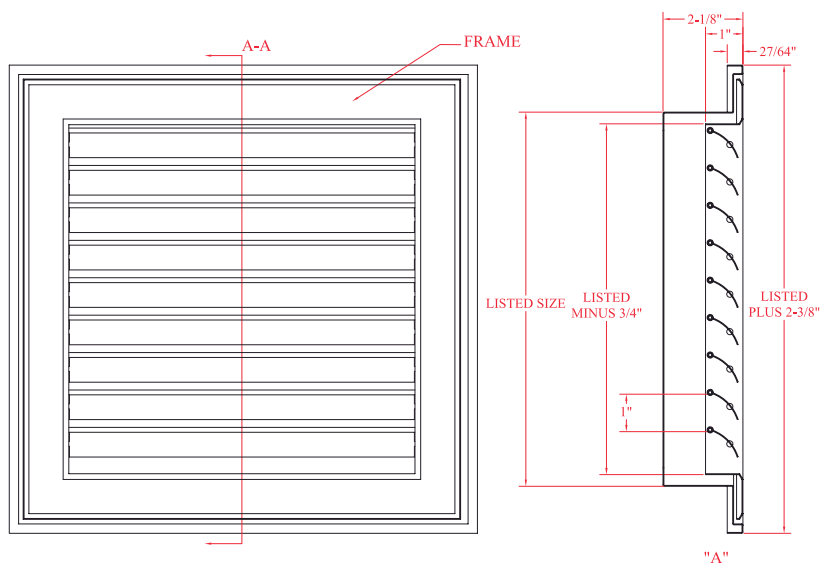
Applications:

For installation in walls ceiling for residences, shops, offices, etc.

Sizes:

Available in sizes pairs from 6 "X 6" to 48 "X 36".

2 Views



PACKAGING:
Airtight plastic packaging for fixing screws.

Return Grilles RHFA Steel / RHFL Aluminium

SPIRO DUCT + FITTINGS + GRILLES + DIFFUSERS + FILTERS + FLEXIBLE DUCT + ACCESORIES

3 Mounting

