

Rectangular Fittings CAZ9C

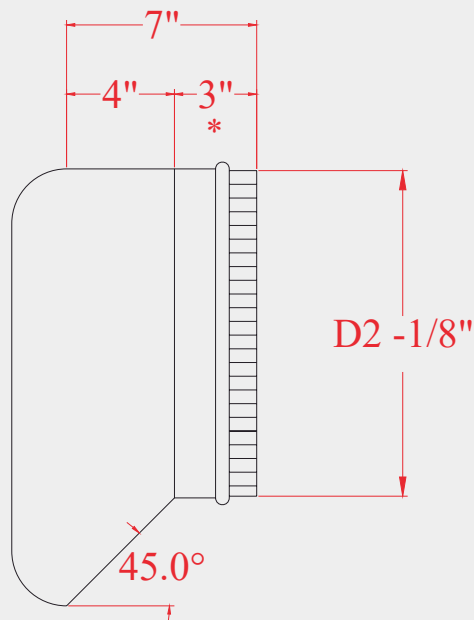
SPIRO DUCT + FITTINGS + GRILLES + DIFFUSERS + FILTERS + FLEXIBLE DUCT + ACCESORIES

1 Principal Features

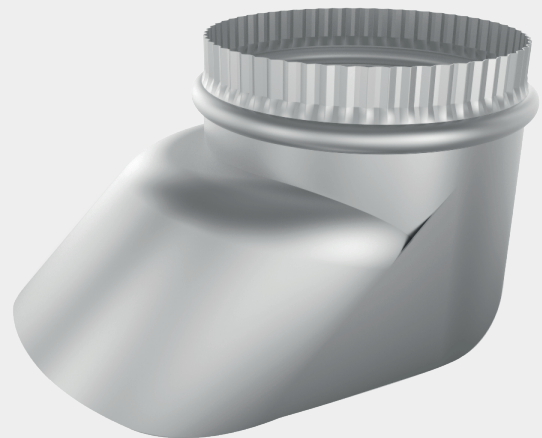
Round reducer cap in galvanized sheet, gauges 26, 24, 22 and 20.

D2=Cap diameter. Units are in inches, available in sizes from 4" up to 60" in 2" intervals.

2 View



*38 DIAMETER AND UP
4" AND DOUBLE RIB



D2= Cap diameter. Units are inches, available in sizes from 4" up to 60" in 2" intervals

PACKAGING:
Shrink wrapped