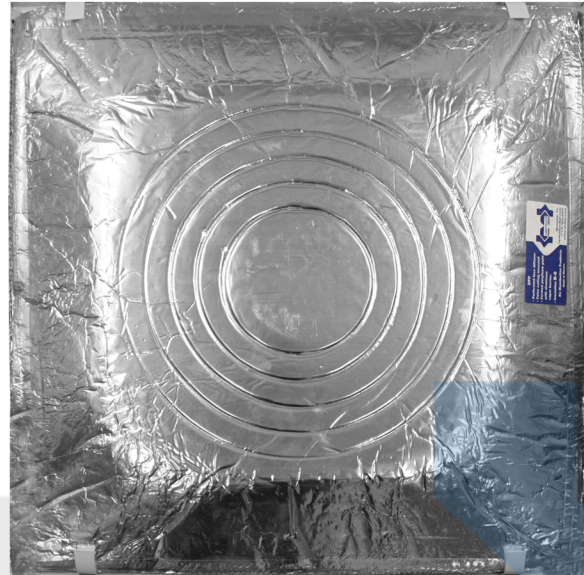
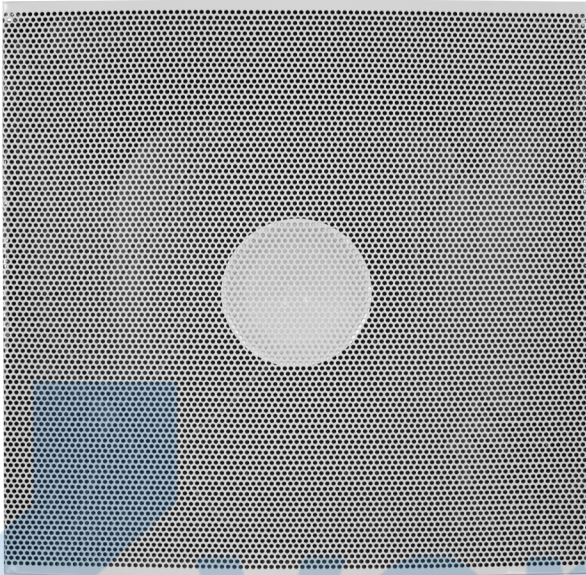


DIFFUSERS

DPP



DESCRIPTION:

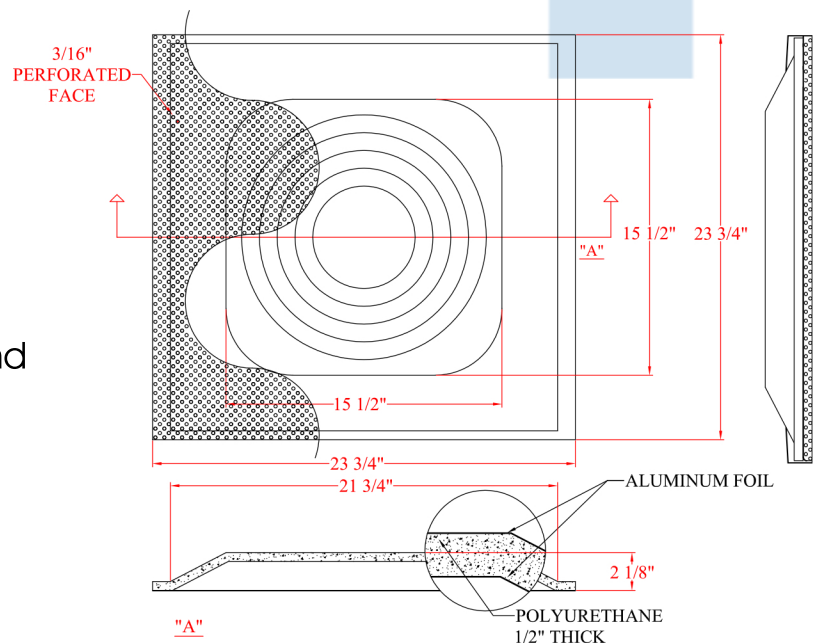
Lay-in diffuser 24" x 24". High efficiency distribution box (insulated). Round neck for flexible duct connection. Air shock plate.

MATERIALS:

Steel perforated mesh, with 50% free area which is easily removable to facilitate the cleaning process. With insulation 1- 1/2" thick R6.

FINISH:

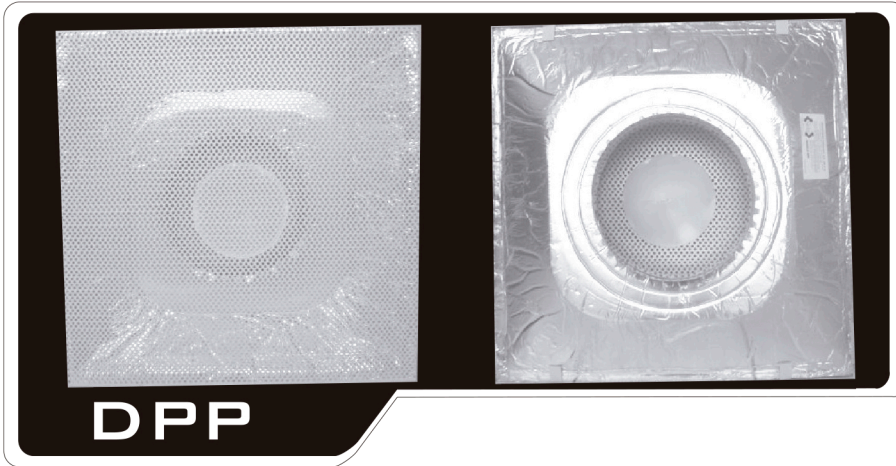
Baked electrostatic paint (polyester) bright white, also available in black and white matte or aluminum color.



AIR DISTRIBUTION PRODUCTS

SPIRO DUCT + FITTINGS + GRILLES + DIFFUSERS + FILTERS + FLEXIBLE DUCT + ACCESSORIES

Verbet reserve the right of making any change without any prior notice.

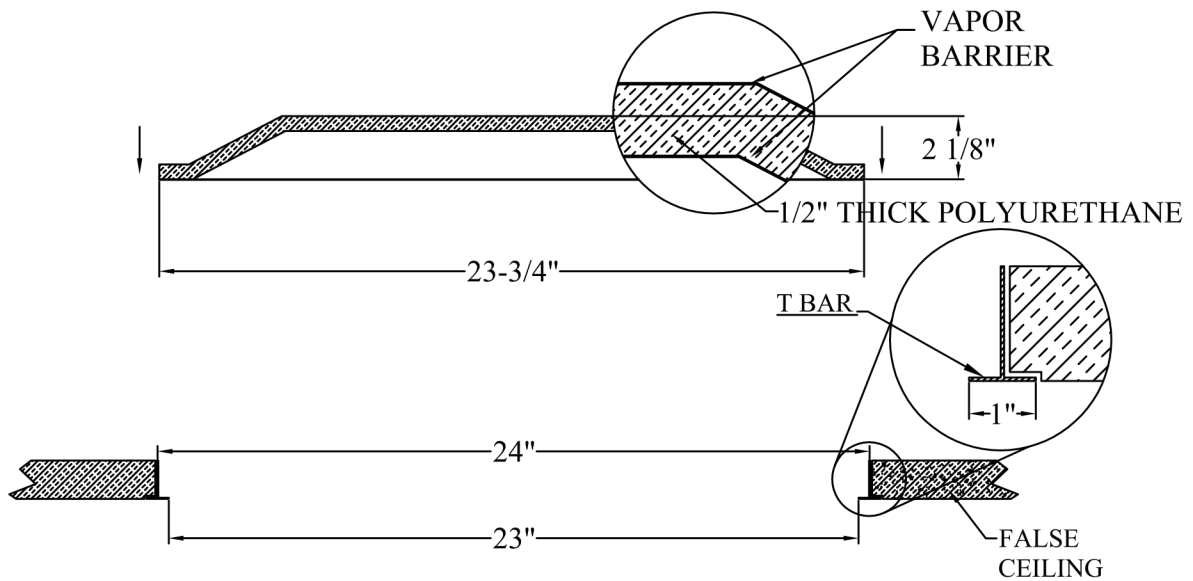


TYPICAL MOUNTING

DPP

DESCRIPTION:

- Perforated ceiling diffuser with (24" x 24") :
- + Perforated steel with 50% free area distribution.
 - + High efficiency distribution plate of polyurethane (1/2" thickness) completely enclosed with aluminum foil as a vapor barrier.
 - + Round neck to easily connect with flexible duct.



SPIRO DUCT + FITTINGS + GRILLES + DIFFUSERS + FILTERS + FLEXIBLE DUCT + ACCESSORIES

AIR DISTRIBUTION PRODUCTS