

TYPICAL MOUNTING

DJ- Aluminum    DJA-Steel

DESCRIPTION:

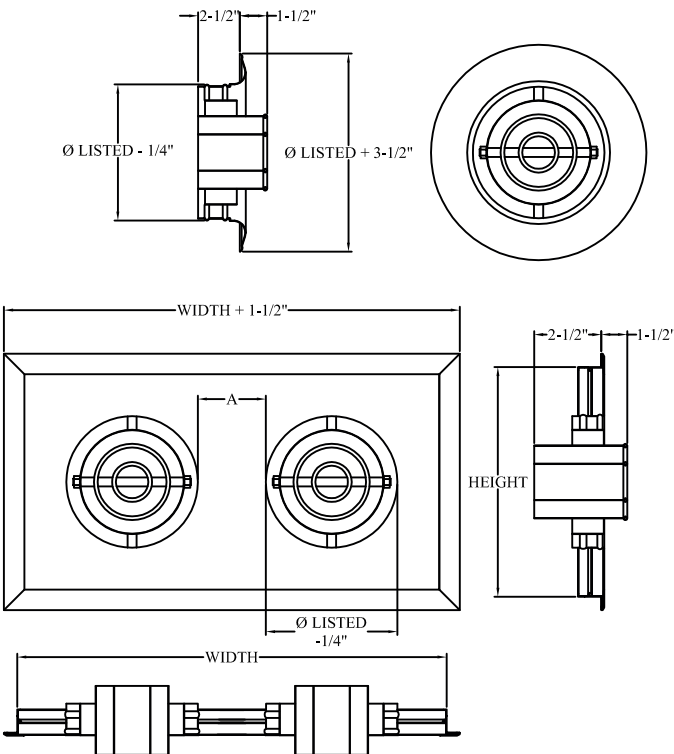
DJ model diffusers are designed for heating and air conditioning large spaces.

Available as individual injectors and rectangular panel. The injectors can be individually adjusted vertically and horizontally up to 30 ° perpendicular to the mounting panel.

With a large open area, provides air distribution with less noise and less pressure loss. Panel-mounted injectors are available from 1 to 4 injectors on a panel.

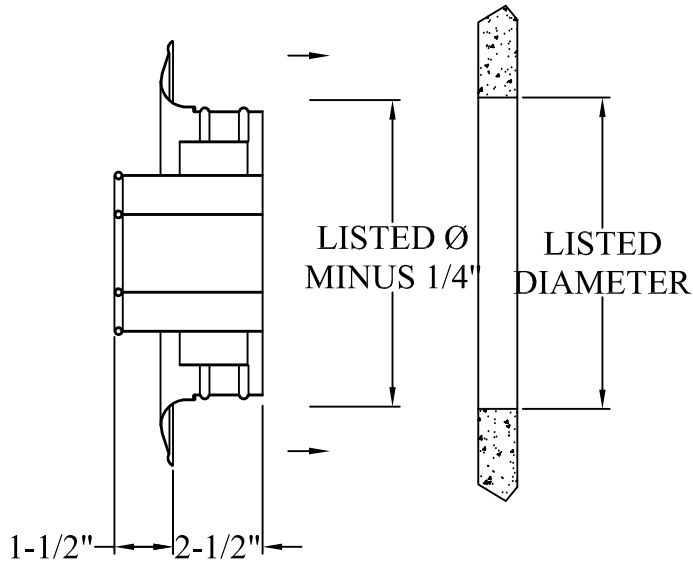
The range of diameters of the injectors is from 6 "to 14" in 2 ".

RECTANGULAR FRAME



INJECTOR DIAMETER	WIDTH BY NUMBER OF INJECTORS				HEIGHT	"A"
	1	2	3	4		
6" Ø	9-3/4"	18-3/4"	27-3/4"	36-3/4"	9-3/4"	3-3/4"
8" Ø	11-3/4"	22-3/4"	33-3/4"	44-3/4"	11-3/4"	3-3/4"
10" Ø	13-3/4"	26-3/4"	39-3/4"	52-3/4"	13-3/4"	3-3/4"
12" Ø	15-3/4"	30-3/4"	45-3/4"	60-3/4"	15-3/4"	3-3/4"
14" Ø	17-3/4"	34-3/4"	51-3/4"	68-3/4"	17-3/4"	3-3/4"
16" Ø	19-3/4"	38-3/4"	57-3/4"	76-3/4"	19-3/4"	3-3/4"

ROUND FRAME



RECTANGULAR FRAME

