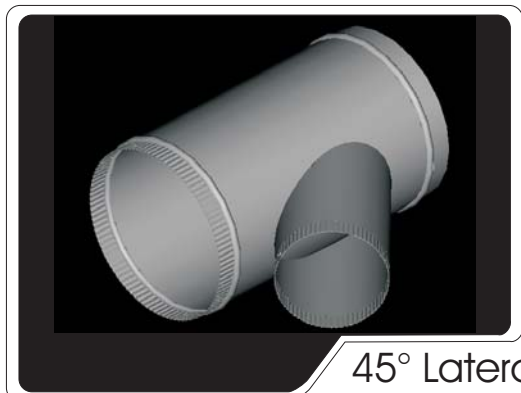


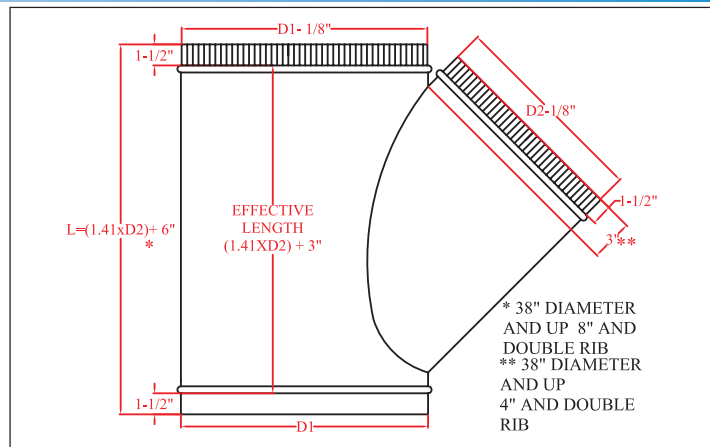
ROUND FITTINGS



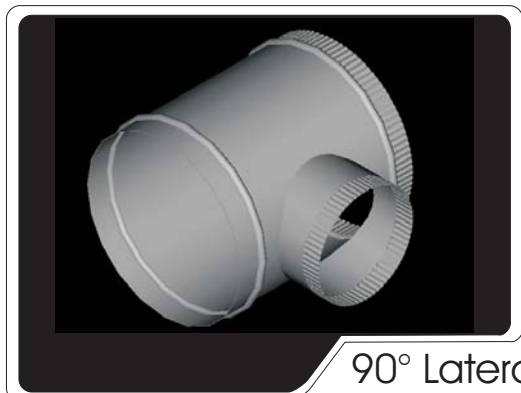
45° Lateral, round.

Code: INJ45

Galvanized sizes 26,24,22 and 20 according to the dimensions.



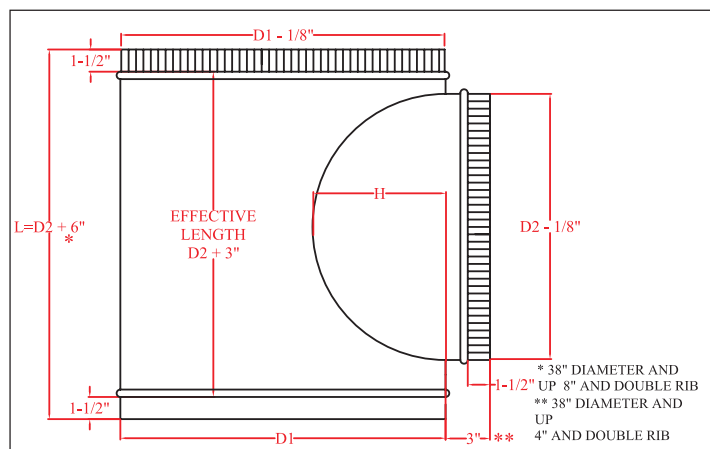
D1=Principal duct diameter. D2=Branch diameter.
 Available in diameter from 4" up to 60".



90° Lateral, round.

Code: INJ90

Galvanized sizes 26,24,22 and 20 according to the dimensions.



D1=Diameter of the main pipeline, D2= Diameter of the branch and L= Total length.

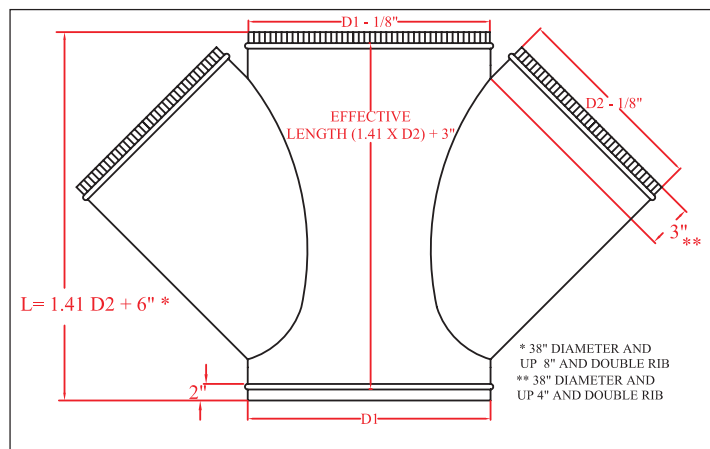
Available in sizes from 4 "to 60" in 2 ".



45° Lateral Cross, round.

Code: CRU45

Galvanized sizes 26,24,22 and 20 according to the dimensions. Ductliner insulation (optional)



D1 = diameter of the main duct, D2 = diameter of the branch and L = Total length.

AIR DISTRIBUTION PRODUCTS

SPIRO DUCT + FITTINGS + GRILLES + DIFFUSERS + FILTERS + FLEXIBLE DUCT + ACCESSORIES

Industrias Vermont S.A de C.V reserve the right of making any change without any prior notice.