

- F4V- Aluminum "V" Frame.
- F4VA - Steel "V" Frame.
- PF4V- Plastic "V" Frame.
- F4P- Aluminum Flat Plane.
- F4PA- Steel Flat Plane.
- PF4P- Plastic Flat Plane.

**DESCRIPTION:**

Fixed blades diffuser at 30°, 4-way injection and with a removable core. (3,2 and 1-way option)  
 Flat plane options ("P" suffix) or beveled frame ("V" suffix).

The fixed diffuser of removable core, provides a maximum of free area, mixed with a great look. This design has a great efficiency due to its injection pattern and deflection angle, besides its installation is extremely fast by its hidden screws.

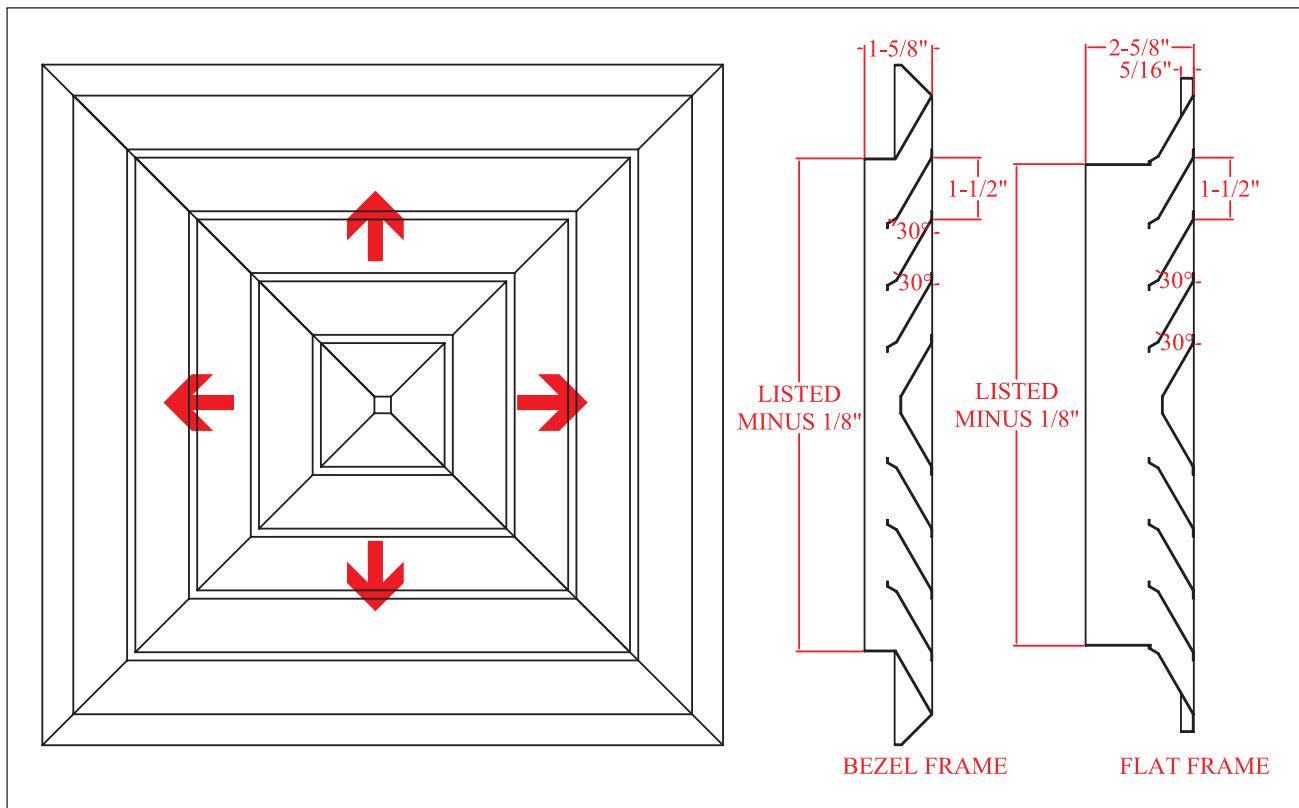
**MATERIALS:**

Our aluminum profiles are made with metal for a higher resistance and are manufactured with the same design in steel and plastic.

**FINISH:**

Baked electrostatic paint (epoxy-polyester) white Vermont as standard finish with optional refrigerator white, gray and matte black aluminum free extra foam seal on the frame to prevent dust spots, airtight plastic packaging for fixing screws.

**Note:** Volume control of opposite blades (C or D) can be added to this model.



**AIR DISTRIBUTION PRODUCTS**

SPIRO DUCT + GRILLES + FITTINGS + DIFFUSERS + FILTERS + FLEXIBLE DUCT + ACCESSORIES

Verbet reserve the right of making any change without any prior notice.