



**MATERIALS:**

Galvanized metal sheet 26 gauge. Fiberglass insulation R-6 or R-8.

**FINISH:**

Baked electrostatic paint (polyester) white Vermont as standard finish or bright white. Sealed plastic packaging.

DT3 Aluminum DTA3 Steel

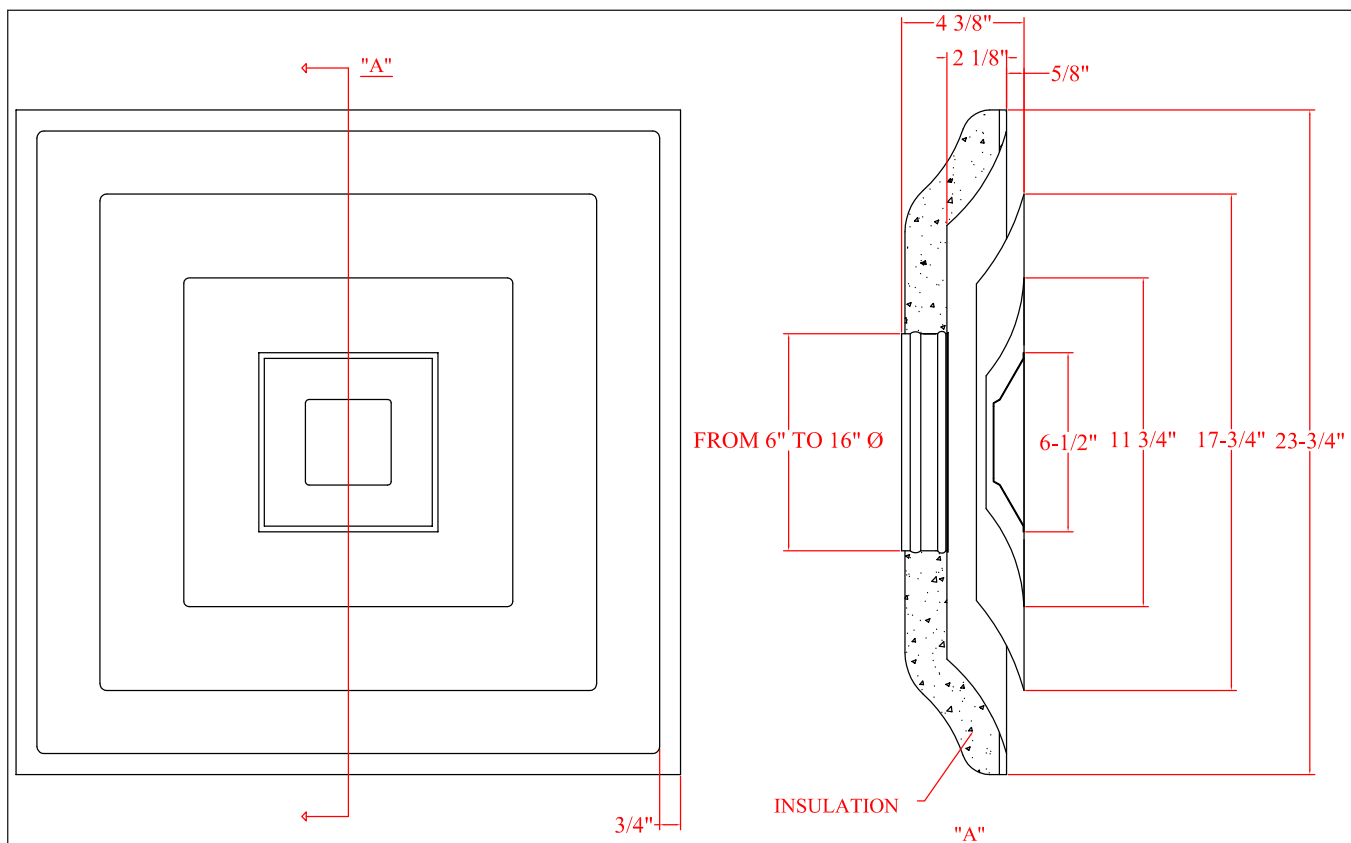
**DESCRIPTION:**

Aluminum or Steel diffuser for lay-in 24" x 24"

3 modules with 4 way distribution, insulated backpan with 3" collar in sizes 06" to 16".

Fiberglass insulation included in R6 or R8.

Excellent performance in variable air volume systems.



**AIR DISTRIBUTION PRODUCTS**

SPIRO DUCT + FITTINGS + GRILLES + DIFFUSERS + FILTERS + FLEXIBLE DUCT + ACCESSORIES

Verbet reserve the right of making any change without any prior notice.