



MATERIALS:

Adapter-Box 26 gauge reinforced steel.
18 gauge shock plate.

Rolled necks and galvanized metal stamping 26 gauge,
the insulation is fiberglass R-6 or R-8.

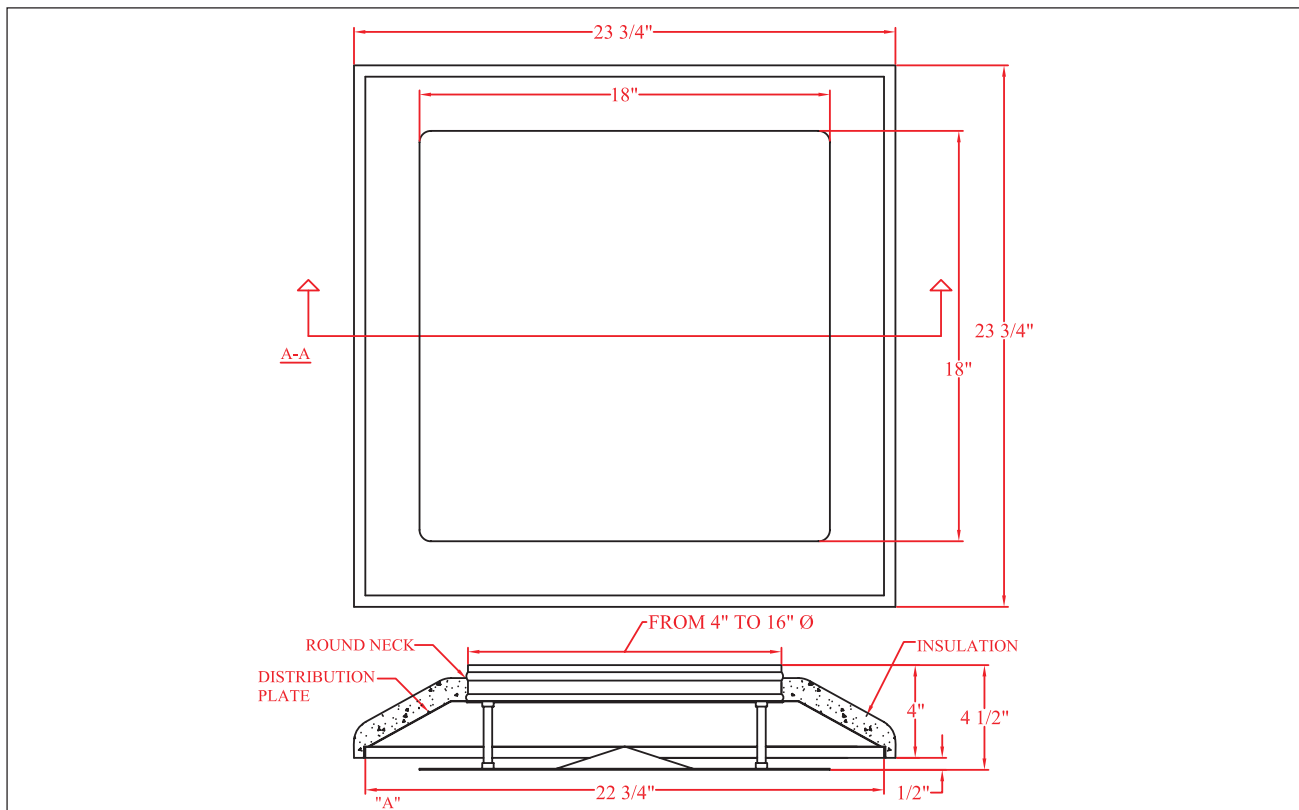
DPL - Steel DPLL- Aluminum

DESCRIPTION:

- Modular diffuser false ceiling mounted 24" x 24".
- + High efficiency distribution box (isolated).
- + Round neck for flexible duct connection.
- + Air shock plate.

FINISH:

Baked electrostatic paint (polyester) white plastic Vermont and airtight packaging.



AIR DISTRIBUTION PRODUCTS

SPIRO DUCT + FITTINGS + GRILLES + DIFFUSERS + FILTERS + FLEXIBLE DUCT + ACCESSORIES

Verbet reserve the right of making any change without any prior notice.