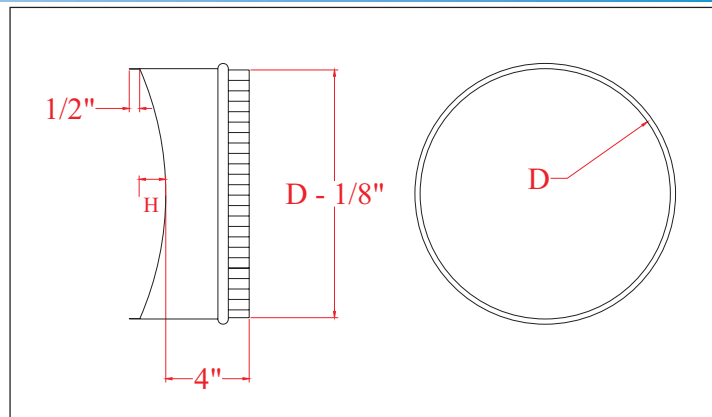


ROUND FITTINGS



Round Tap

Code: CASR Round galvanized sheet metal cap sizes 26,24,22 and 20 according to the dimensions.

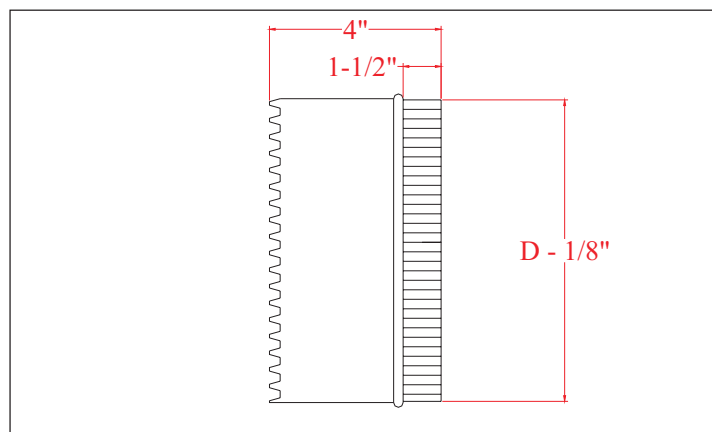


D = diameter of the cap.  
 Available in sizes from 6 "to 60" in 2 ".



Round duct coupling

Code: CON  
 Round duct coupling in galvanized sheet.

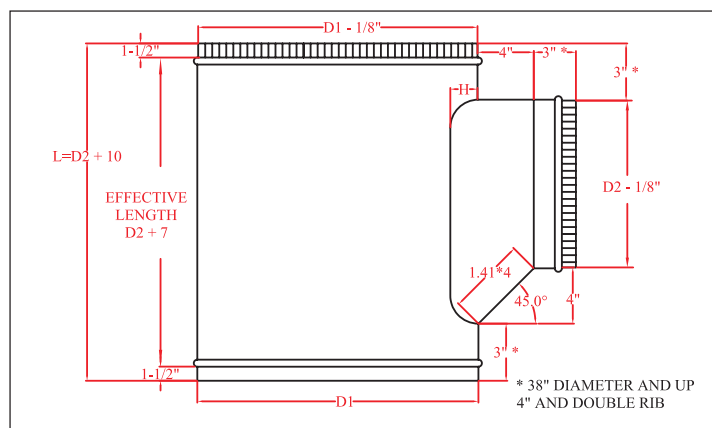


D=Duct Diameter.



Reducing round cap

Code: ZR Reducing round cap sizes 26, 24,22 and 20 depending on the size.



D1=Principal duct diameter, D2=Ramal diameter and L=Total lenght.

**AIR DISTRIBUTION PRODUCTS**

SPIRO DUCT + FITTINGS + GRILLES + DIFFUSERS + FILTERS + FLEXIBLE DUCT + ACCESSORIES

Industrias Vermont S.A. de C.V. reserve the right of making any change without any prior notice.