

Supply Grilles EVAR

SPIRO DUCT + FITTINGS + GRILLES + DIFFUSERS + FILTERS + FLEXIBLE DUCT + ACCESORIES

Double damper steel grille for air injection with individually adjustable straight fins, vertical to the front and horizontal rear. The grille face is curved to adjust into the diameter of the duct. Includes fasteners for fixing, deflector and seal on the frame to prevent air leaks.

1 Principal Features

MATERIALS:

Steel or Aluminum.

FINISHES:

Electrostatic powder paint - standard color white (options in gray and black matte)

AVAILABLE SIZES:

Available in sizes from 8 "X 4" to 36 "X 12".

APPLICATIONS:

Designed to mount in a circular duct without the need for bushings.

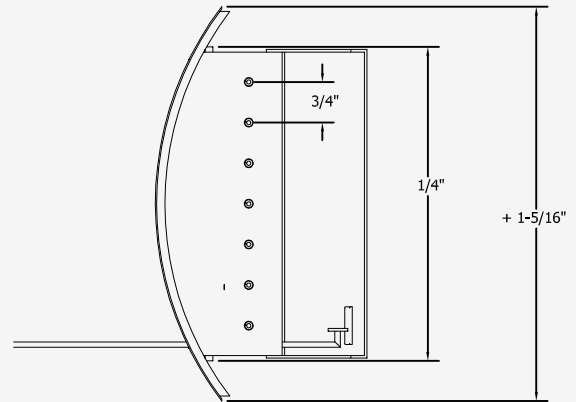
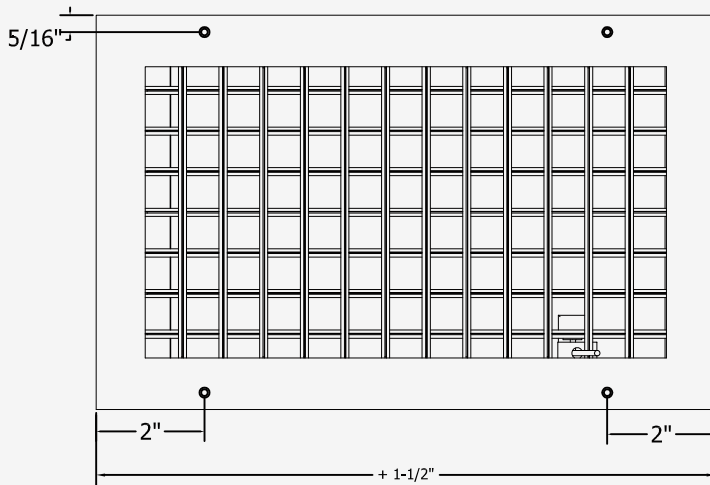
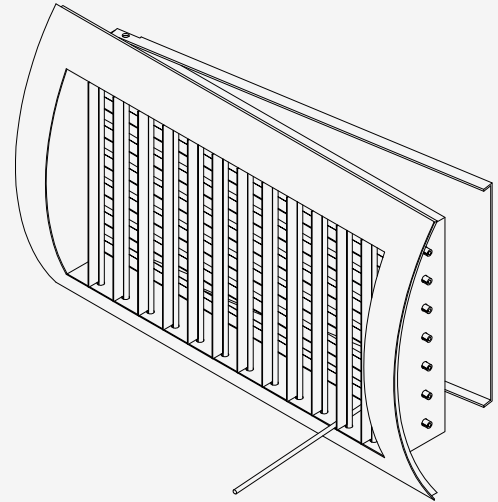
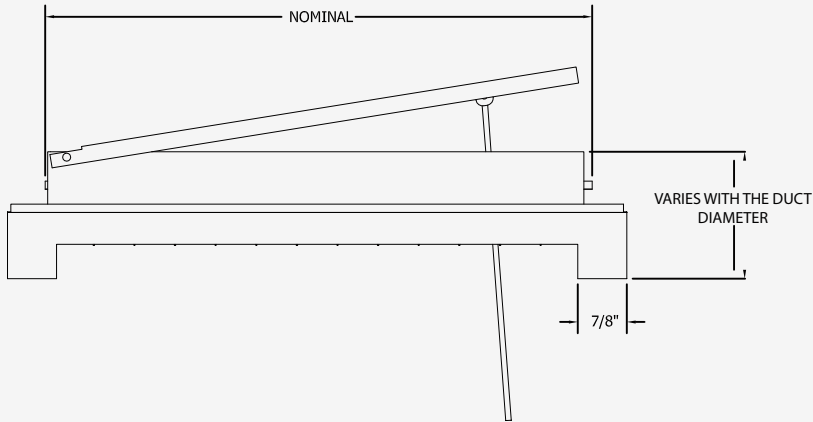
2 Views



PACKAGING:
Airtight plastic packaging for fixing screws.

Supply Grilles EVAR

SPIRO DUCT + FITTINGS + GRILLES + DIFFUSERS + FILTERS + FLEXIBLE DUCT + ACCESORIES





Supply Grilles EVAR

SPIRO DUCT + FITTINGS + GRILLES + DIFFUSERS + FILTERS + FLEXIBLE DUCT + ACCESORIES

3 Table

SIZE		NK VEL	200	300	400	500	600	700	800	900
		PT	0.007	0.015	0.027	0.042	0.061	0.083	0.108	0.137
10X03	Ac Ft2	CFM	27	42	56	70	85	100	115	128
		0.15 NC	-	-	-	-	12	17	21	25
		THROW	2-3-8	4-5-11	6-8-13	7-10-15	9-11-16	10-12-17	11-13-19	12-14-20
12X03	Ac Ft2	CFM	34	52	69	87	104	122	140	157
		0,18 NC	-	-	-	-	14	19	23	26
		THROW	2-3-9	4-6-12	6-9-14	8-11-16	10-12-18	11-13-19	13-14-21	12-15-22
10X04 14X03	Ac Ft2	CFM	41	62	83	103	124	145	166	187
		0.21 NC	-	-	-	-	15	19	23	27
		THROW	2-4-9	5-7-14	7-9-16	9-12-18	10-14-20	12-15-21	14-16-23	15-17-24
12X04	Ac Ft2	CFM	50	74	100	126	150	177	200	227
16X03		0.26 NC	-	-	-	10	15	20	24	27
		THROW	2-4-10	5-8-15	8-10-18	10-13-20	11-15-22	13-16-24	15-18-25	16-19-27
18X03 14X04	Ac Ft2	CFM	53	80	107	133	160	188	215	240
		0.27 NC	-	-	-	10	16	20	25	28
		THROW	2-5-11	6-8-16	8-11-18	10-14-20	12-16-22	14-17-24	16-18-26	17-19-28
10X06	Ac Ft2	CFM	67	100	134	168	200	235	268	302
16X04		0.34 NC	-	-	-	11	17	21	25	29
		THROW	3-5-12	6-9-17	9-12-20	11-16-23	13-17-25	15-19-27	17-20-29	18-22-30
12X06	Ac Ft2	CFM	81	122	163	204	245	286	327	368
18X04 24X03		0.41 NC	-	-	-	12	18	22	26	30
		THROW	3-6-14	7-10-19	10-14-23	12-17-25	15-19-28	17-21-30	19-23-32	20-24-34
30X03	Ac Ft2	CFM	91	136	182	228	273	319	365	410
		0.46 NC	-	-	-	13	18	23	27	30
		THROW	3-6-14	7-11-21	10-14-24	13-18-27	15-21-29	18-22-32	20-24-34	22-25-36
14X06 20X04	Ac Ft2	CFM	96	144	192	240	289	337	385	434
		0.49 NC	-	-	-	13	18	23	27	29
		THROW	3-6-15	7-11-21	11-15-25	13-19-28	16-21-30	18-23-33	21-25-35	22-26-37
16X06 24X04	Ac Ft2	CFM	110	166	221	277	333	388	444	498
		0.56 NC	-	-	-	14	19	24	28	31
		THROW	4-7-16	8-12-23	11-16-26	14-20-30	17-23-33	20-25-35	22-26-38	24-28-40
18X06 36X03	Ac Ft2	CFM	125	187	250	313	376	439	501	565
		0.63 NC	-	-	-	14	19	24	28	30
		THROW	4-7-17	8-13-24	12-17-28	15-22-32	18-24-35	21-26-38	24-28-40	25-30-43
14X08	Ac Ft2	CFM	133	199	265	333	398	465	532	598
		0.67 NC	-	-	-	14	20	24	28	30
		THROW	4-8-18	9-13-25	12-18-29	16-22-33	19-25-36	22-27-39	25-29-41	26-31-44
16X08 20X06	Ac Ft2	CFM	153	229	306	383	460	537	613	690
		0.77 NC	-	-	-	15	20	25	29	31
		THROW	4-8-19	9-14-27	13-19-31	17-24-35	20-27-38	23-29-42	26-30-45	28-33-47
18X08 24X06	Ac Ft2	CFM	173	260	346	433	520	606	693	780
		0.87 NC	-	-	-	15	20	24	28	32
		THROW	4-9-20	10-15-29	14-20-33	18-26-37	21-29-40	25-31-44	28-33-46	30-35-49
20X08 42X04	Ac Ft2	CFM	193	290	387	484	580	677	774	870
		0.97 NC	-	-	10	16	20	26	30	33
		THROW	5-10-21	10-16-30	15-21-35	19-27-39	22-30-43	26-33-47	30-35-50	30-37-53
18X10 30X06	Ac Ft2	CFM	221	331	442	552	662	774	885	995
		1.11 NC	-	-	11	16	22	26	30	34
		THROW	5-10-23	11-17-33	16-23-38	20-29-42	24-33-46	28-35-50	32-38-54	34-40-57
20X10 24X08 48X04	Ac Ft2	CFM	246	370	493	617	740	864	987	1111
		1.24 NC	-	-	11	17	22	27	31	34
		THROW	5-11-24	12-18-34	17-24-40	21-30-45	25-34-49	30-37-53	33-40-57	35-42-60