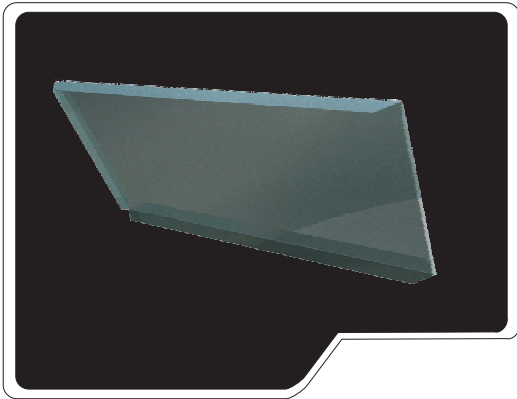


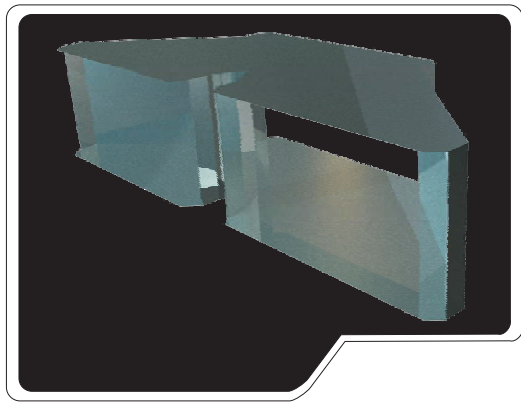
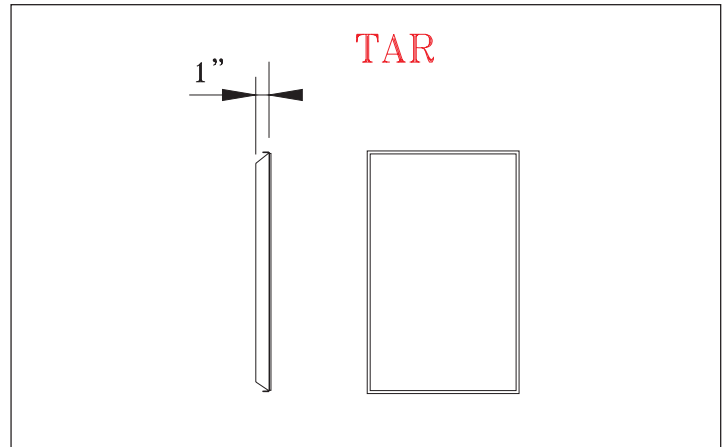
RECTANGULAR CONNECTION



Rectangular Cap.

Code: TAR

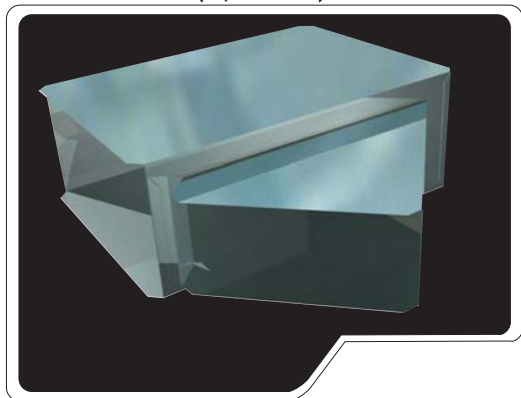
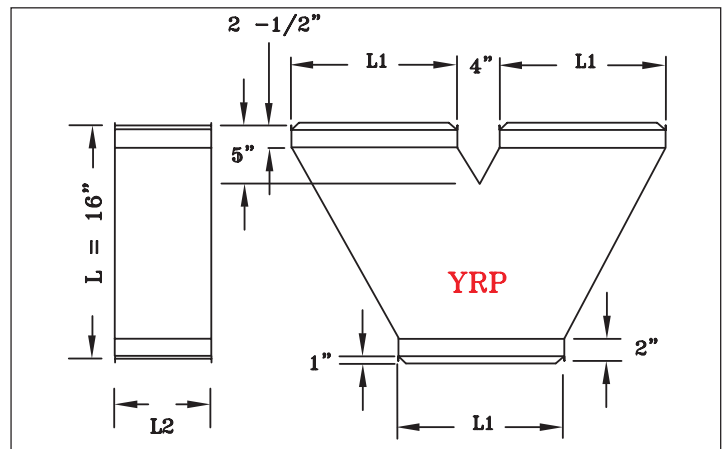
Unassembled, galvanized sheet gauges 26, 24 and 22 according the dimensions. Thermal insulation Ductliner of 1" (optional).



Rectangular "Y".

Code: YPR

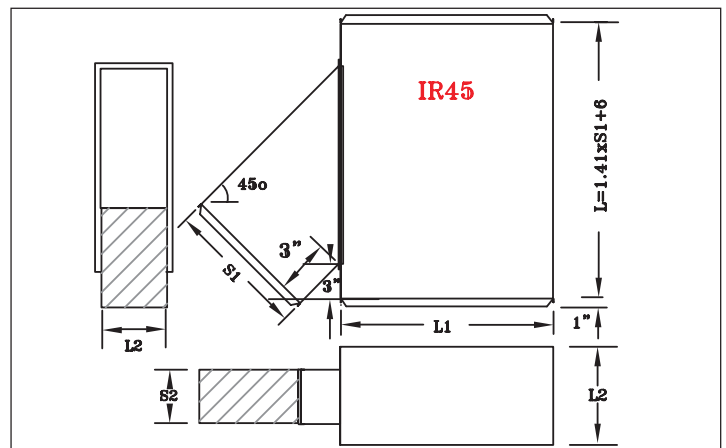
Unassembled, galvanized sheet gauges 26, 24 and 22 according the dimensions. Thermal insulation Ductliner of 1" (optional).



45° Lateral, Rectangular.

Code: IR45

Galvanized sheet gauges 26, 24 and 22 according the dimensions.



AIR DISTRIBUTION PRODUCTS

SPIRO DUCT + FITTINGS + GRILLES + DIFFUSERS + FILTERS + FLEXIBLE DUCT + ACCESSORIES

Verbet reserve the right of making any change without any prior notice.