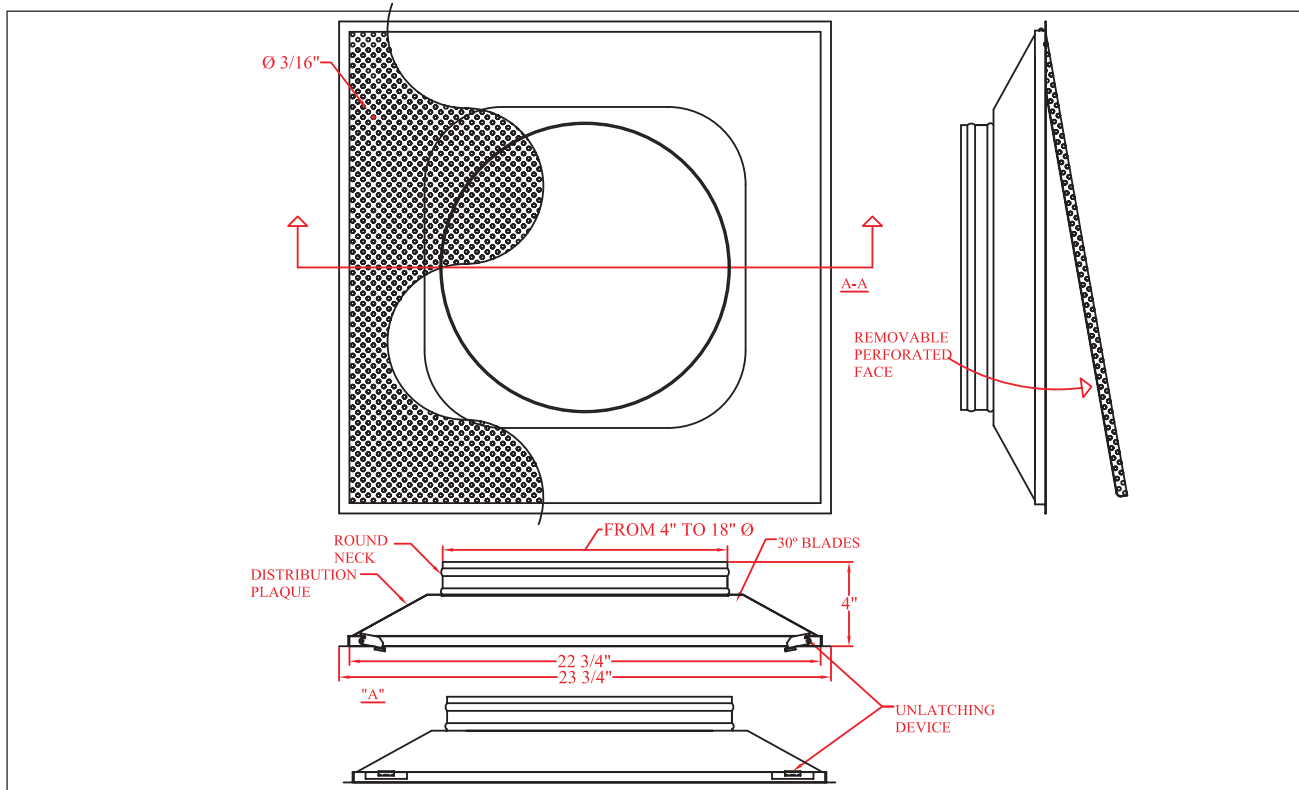


**RP**

**RP**  
**DESCRIPTION:**  
 Return modular false ceiling mounted 24 "x 24":  
 Distribution box + high efficiency.  
 Circular + Neck flexible duct connection.  
 + Perforated steel sheet in front, with 50% free  
 area. Which is easily removable to facilitate the  
 maintenance process. (Without diffuser)  
 +Fiberglass insulation with a kraft coated.

**MATERIALS:**  
 Perforated sheet steel hinged 26 gauge (24 option),  
 with box-reinforced steel adapter 26 gauge.  
 Necks rolled and stamped, galvanized sheet 26  
 gauge.  
 The insulation is fiberglass, 1-1/2 " thick R = 4.2.  
**FINISH:**  
 Baked electrostatic paint (polyester) white plastic  
 Vermont and airtight packaging.



**AIR DISTRIBUTION PRODUCTS**

SPIRO DUCT + FITTINGS + GRILLES + DIFFUSERS + FILTERS + FLEXIBLE DUCT + ACCESSORIES

Verbet reserve the right of making any change without any prior notice.