



RHP- Aluminum RHPA- Steel

DESCRIPTION:

Non-vision door return grilles, V-shaped fixed and parallel to the long dimension.

Adjust to fit door thickness 1-1/8".

This model is designed for spaces in which free air flow is required through the accessory but with a non-vision (doors, windows or walls).

MATERIALS:

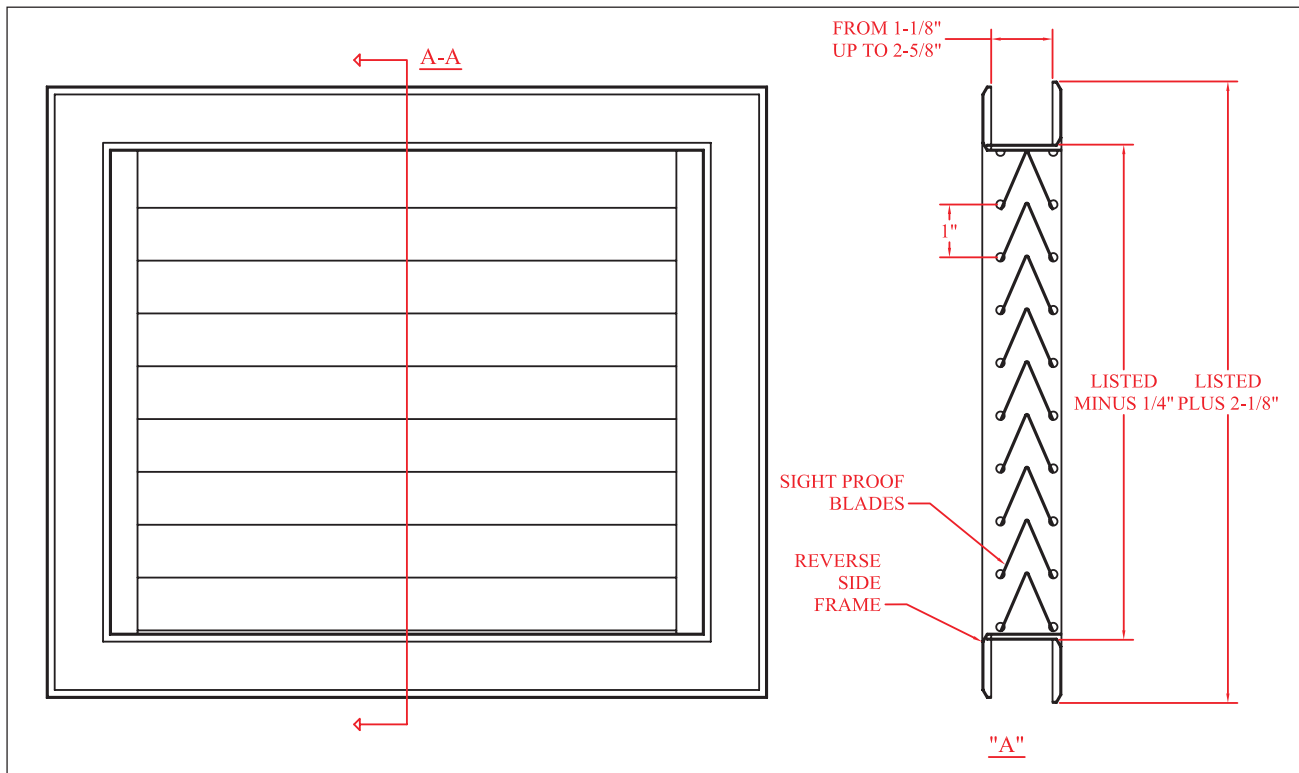
Our aluminum pieces are made with hardness for a higher resistance and are manufactured with the same design as the steel. Tempered galvanized steel wire is used in the blades axis to avoid noise and vibration.

FINISH:

Baked electrostatic paint (polyester) white Vermont as standard finish with optional gray and matte black aluminum without any extra cost, foam seal on the frame to prevent dust spots, airtight plastic packaging for fixing screws.

Note:

In measurements of 20" or higher a crossbar is added to conserve the necessary quality and rigidity.



AIR DISTRIBUTION PRODUCTS

SPIRO DUCT + FITTINGS + GRILLES + DIFFUSERS + FILTERS + FLEXIBLE DUCT + ACCESSORIES

Verbet reserve the right of making any change without any prior notice.