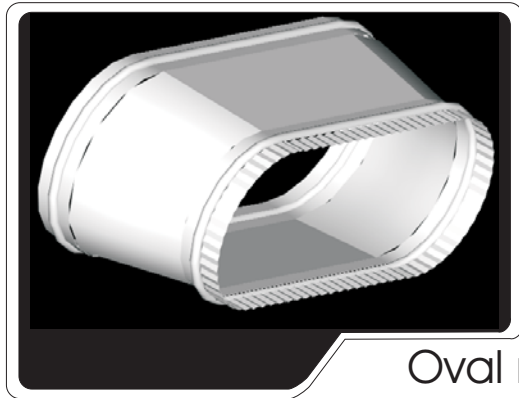
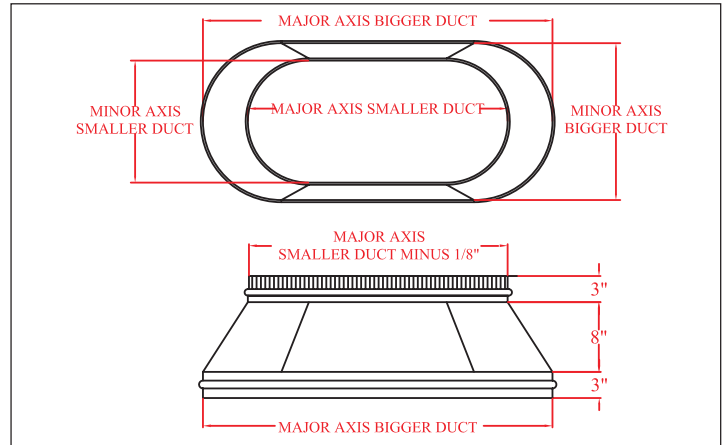


OVAL FITTINGS

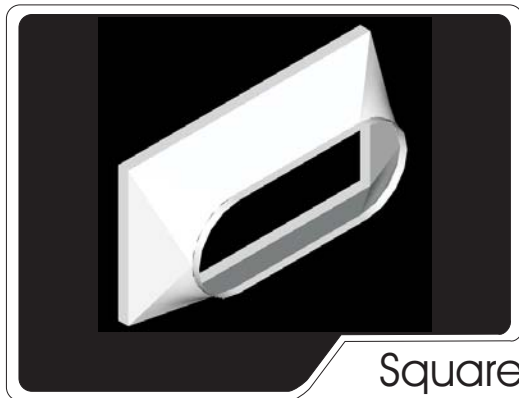


Oval reducer

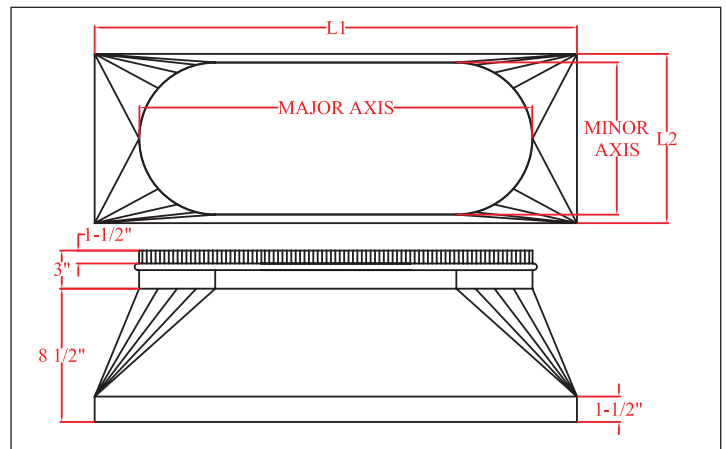


Code: RCO

Oval reducer in galvanized sheet. Gauges 26,24,22, 20 and 18 according the dimensions.

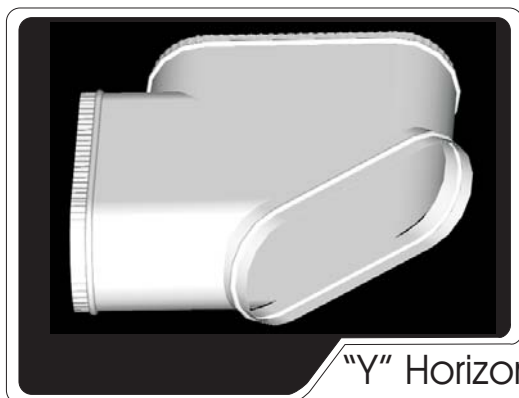


Square to oval

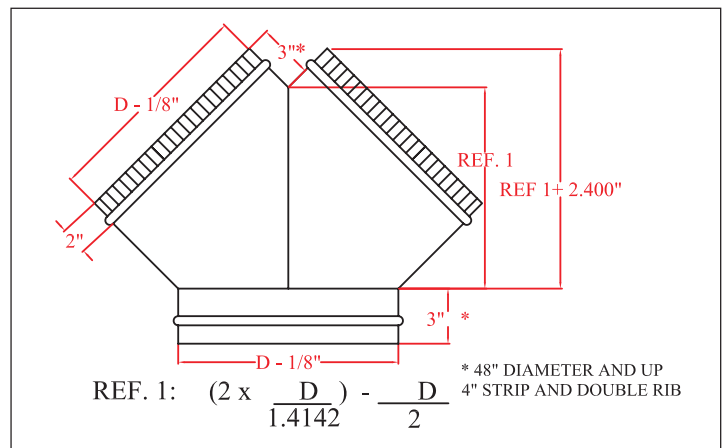


Code: TRARO

Square to oval in galvanized sheet. Gauges 26,24,22,20 and 18.



"Y" Horizontal Oval



Code: YEO

"Y" horizontal oval in galvanized sheet. Gauges 26,24,22,20 and 18, according the dimensions.

AIR DISTRIBUTION PRODUCTS

SPIRO DUCT + FITTINGS + GRILLES + DIFFUSERS + FILTERS + FLEXIBLE DUCT + ACCESSORIES

Verbet reserve the right of making any change without any prior notice.