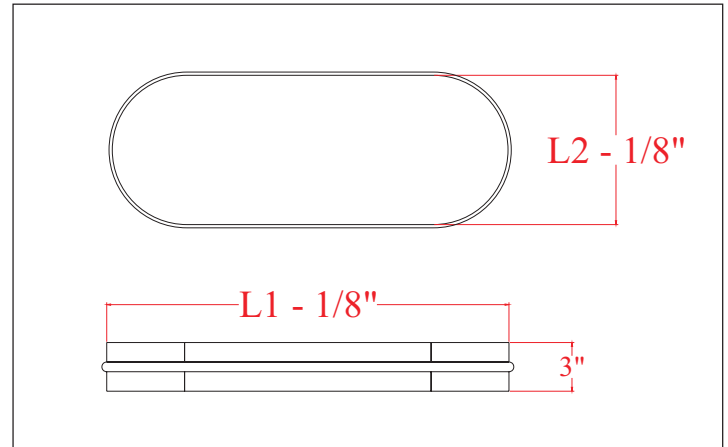
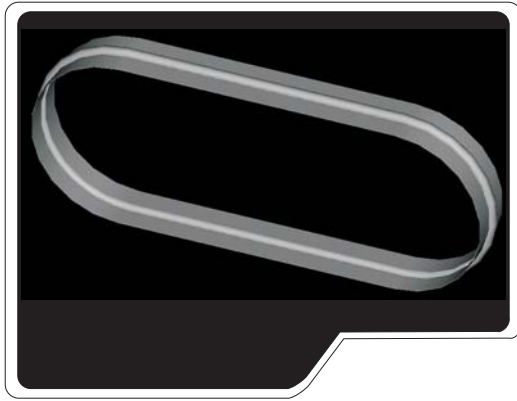


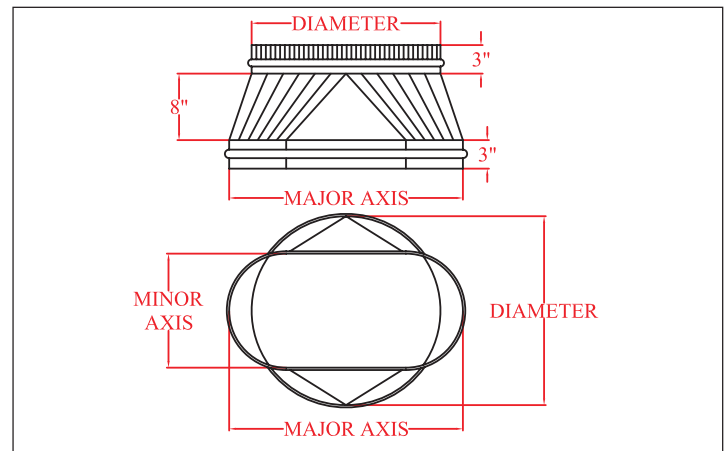
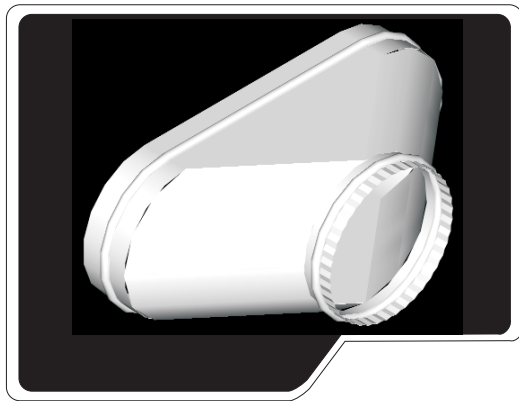
OVAL FITTINGS



NIPLE

Code: NIPO

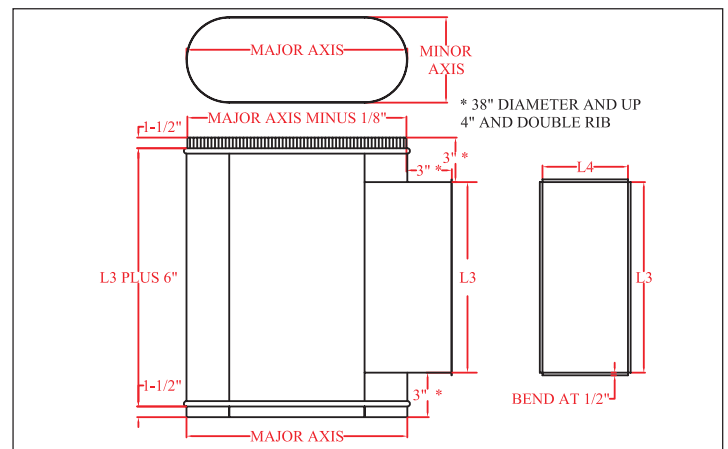
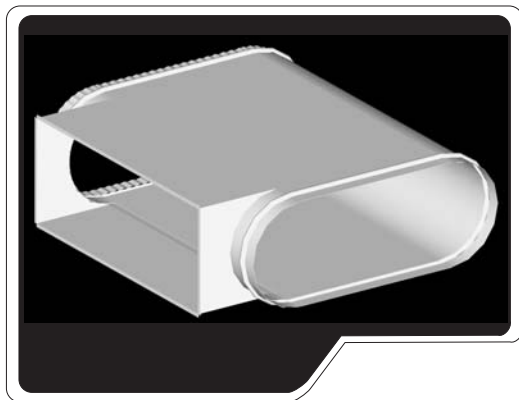
Galvanized sheet, gauges 26, 24, 22, 20 and 18 according the dimensions.



Oval to Circular Transformation.

Code: TRAOR

Transformation from Oval to Circular, galvanized sheet in gauges 26,24,22,20 and 18 according the dimensions.



90° Lateral Oval to Rectangular.

Code: INJOC90

Lateral Oval to Rectangular of 90°, in galvanized sheet gauges 26,24,22,20 and 18.

AIR DISTRIBUTION PRODUCTS

SPIRO DUCT + FITTINGS + GRILLES + DIFFUSERS + FILTERS + FLEXIBLE DUCT + ACCESSORIES

Verbet reserve the right of making any change without any prior notice.