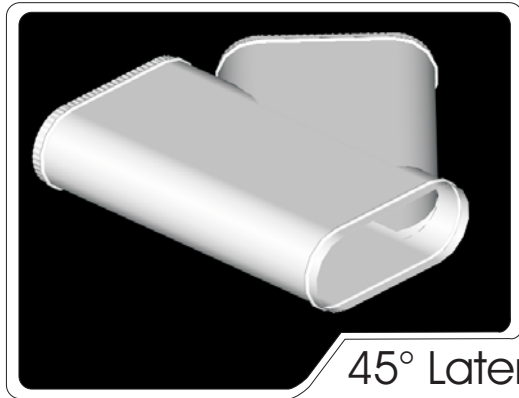
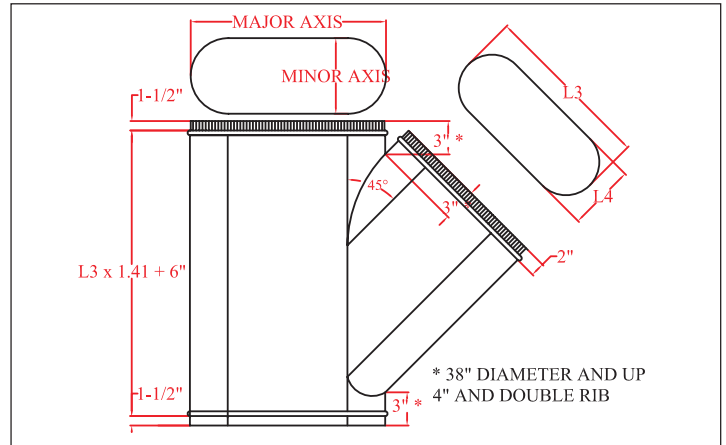


OVAL FITTINGS

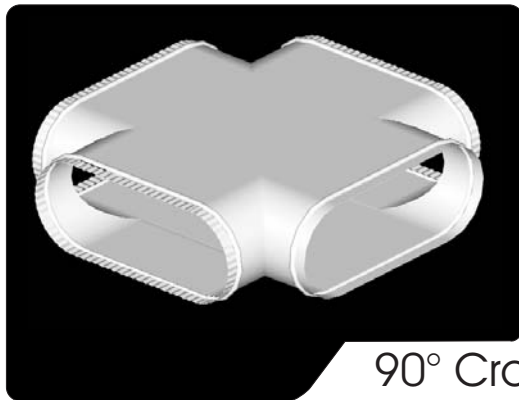


45° Lateral, oval.

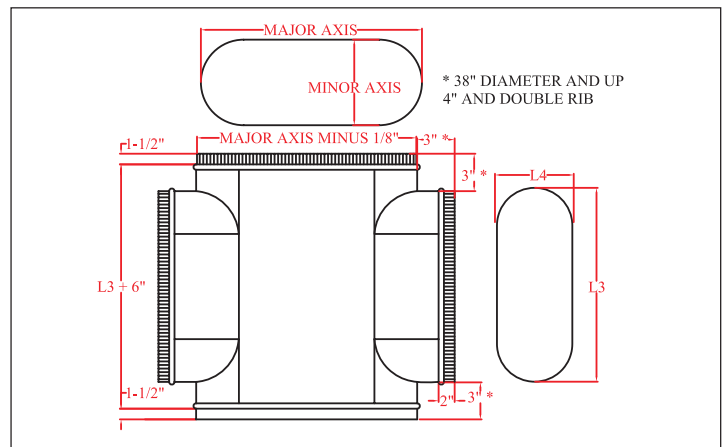


Code: INJO45

45° lateral oval, galvanized sheet. Gauges 26,24,22 ,20 and 18 according the dimensions.

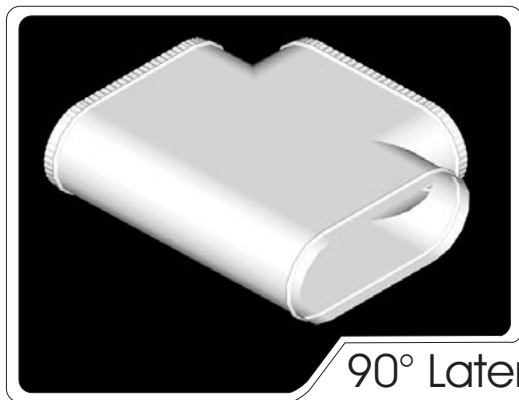


90° Cross, oval.

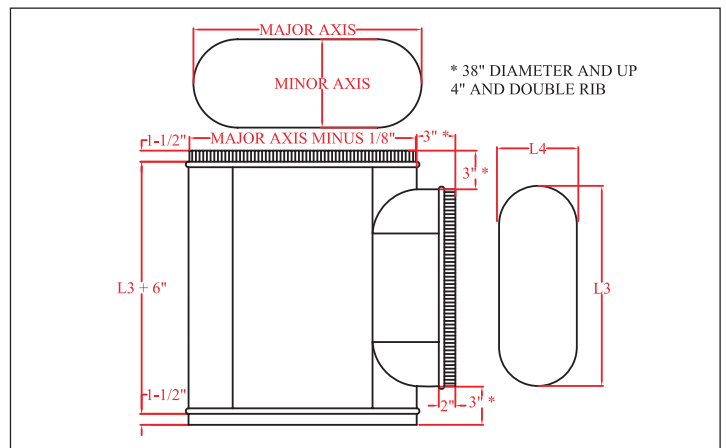


Code: CRUO90

Horizontal 90° oval cross, galvanized sheet. Gauges 26,24,22,20 and 18 according the dimensions.



90° Lateral, oval.



Code:INJO90

90° Lateral oval, galvanized sheet. Gauges 26, 24,22, 20 and 18 according the dimensions.

AIR DISTRIBUTION PRODUCTS

SPIRO DUCT + FITTINGS + GRILLES + DIFFUSERS + FILTERS + FLEXIBLE DUCT + ACCESSORIES

Verbet reserve the right of making any change without any prior notice.