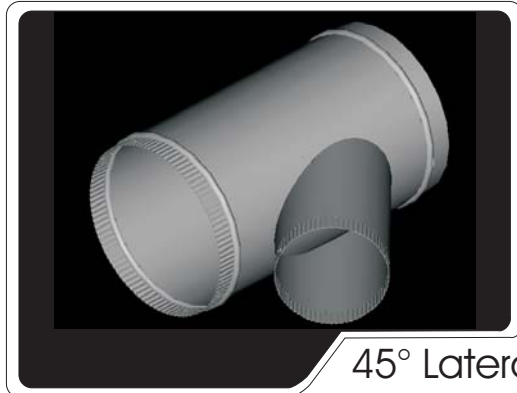


ROUND FITTINGS



45° Lateral, round.

Code: INJ45

Galvanized sizes 26,24,22 and 20 according to the dimensions.



90° Lateral, round.

Code: INJ90

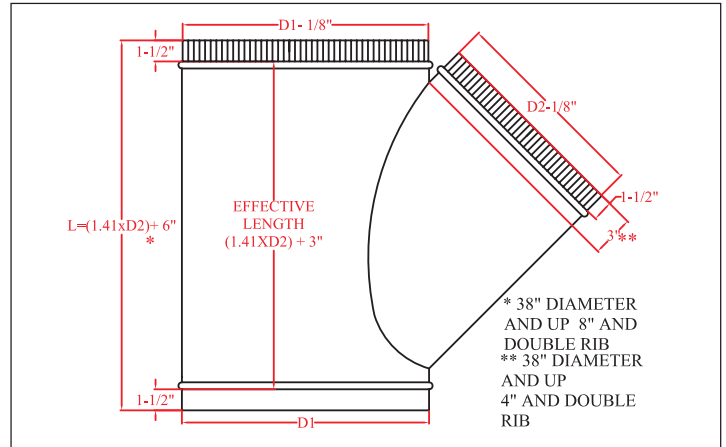
Galvanized sizes 26,24,22 and 20 according to the dimensions.



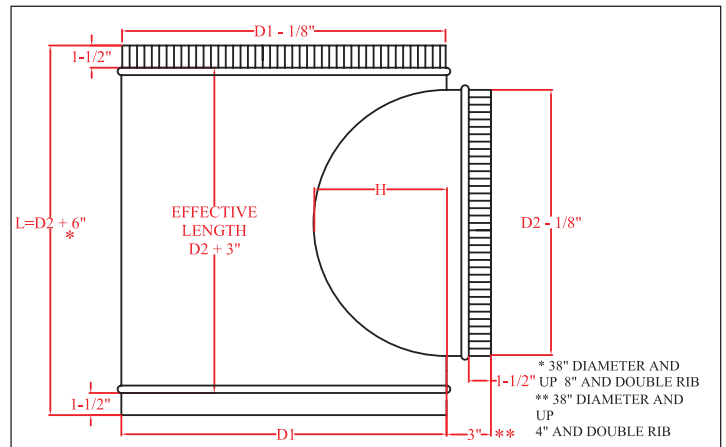
45° Lateral Cross, round.

Code: CRU45

Galvanized sizes 26,24,22 and 20 according to the dimensions. Ductliner insulation (optional)

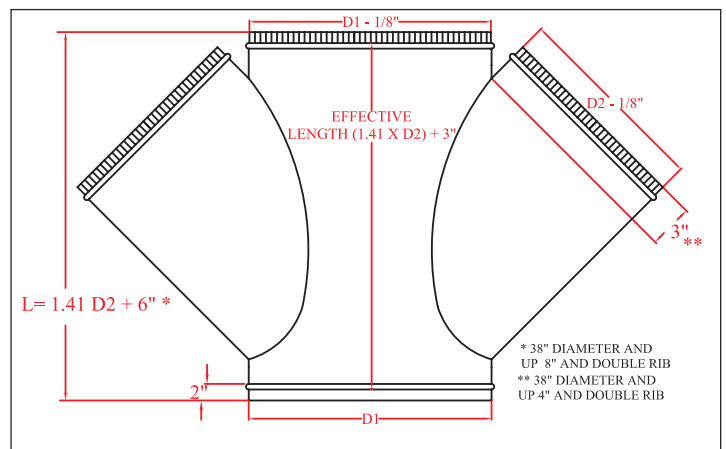


D1 = Principal duct diameter. D2 = Branch diameter.  
 Available in diameter from 4" up to 60".



D1 = Diameter of the main pipeline, D2 = Diameter of the branch and L = Total length.

Available in sizes from 4" to 60" in 2".



D1 = diameter of the main duct, D2 = diameter of the branch and L = Total length.

**AIR DISTRIBUTION PRODUCTS**

SPIRO DUCT + FITTINGS + GRILLES + DIFFUSERS + FILTERS + FLEXIBLE DUCT + ACCESSORIES

Verbet reserve the right of making any change without any prior notice.