



ER4-Aluminum / ER4A-Steel

DESCRIPTION:

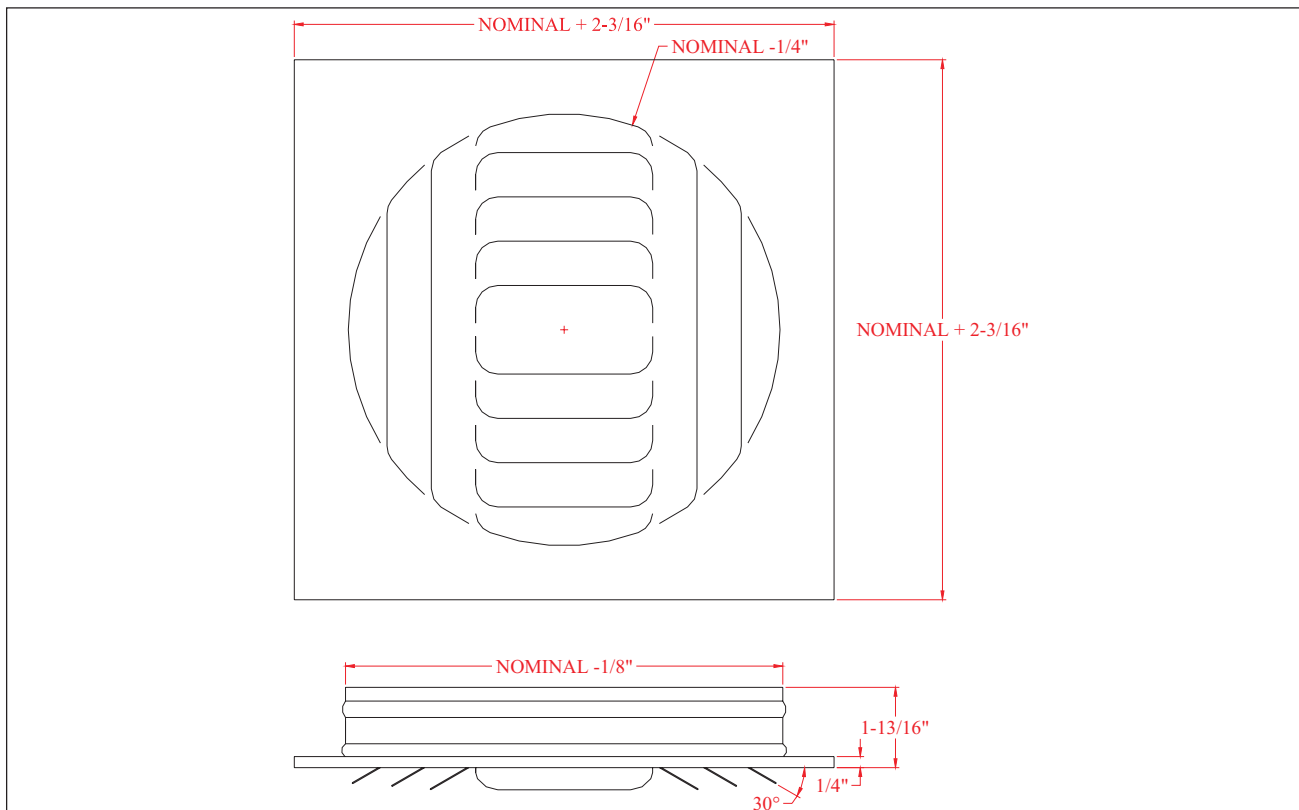
4-way stamped diffuser with a square frame and round connector. Fixed fins at 30° of deflection in the 4 ways. One piece construction, no noise. Available in nominal diameters 6", 8", 10" and 12".

MATERIALS:

In aluminum 0.032" thickness and in black steel sheet gauge 24.

FINISH:

Baked electrostatic paint (polyester) white Vermont as standard finish with optional gray and matte black aluminum without any extra cost, foam seal on the frame to prevent dust spots, airtight plastic packaging for fixing screws.



AIR DISTRIBUTION PRODUCTS

SPIRO DUCT + FITTINGS + GRILLES + DIFFUSERS + FILTERS + FLEXIBLE DUCT + ACCESSORIES

Verbet reserve the right of making any change without any prior notice.