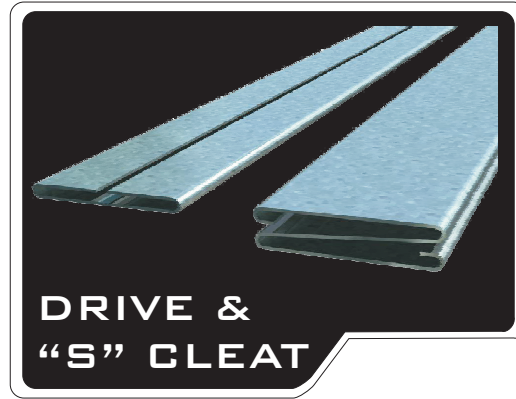


Unassembled Pittsburgh Rectangular Duct

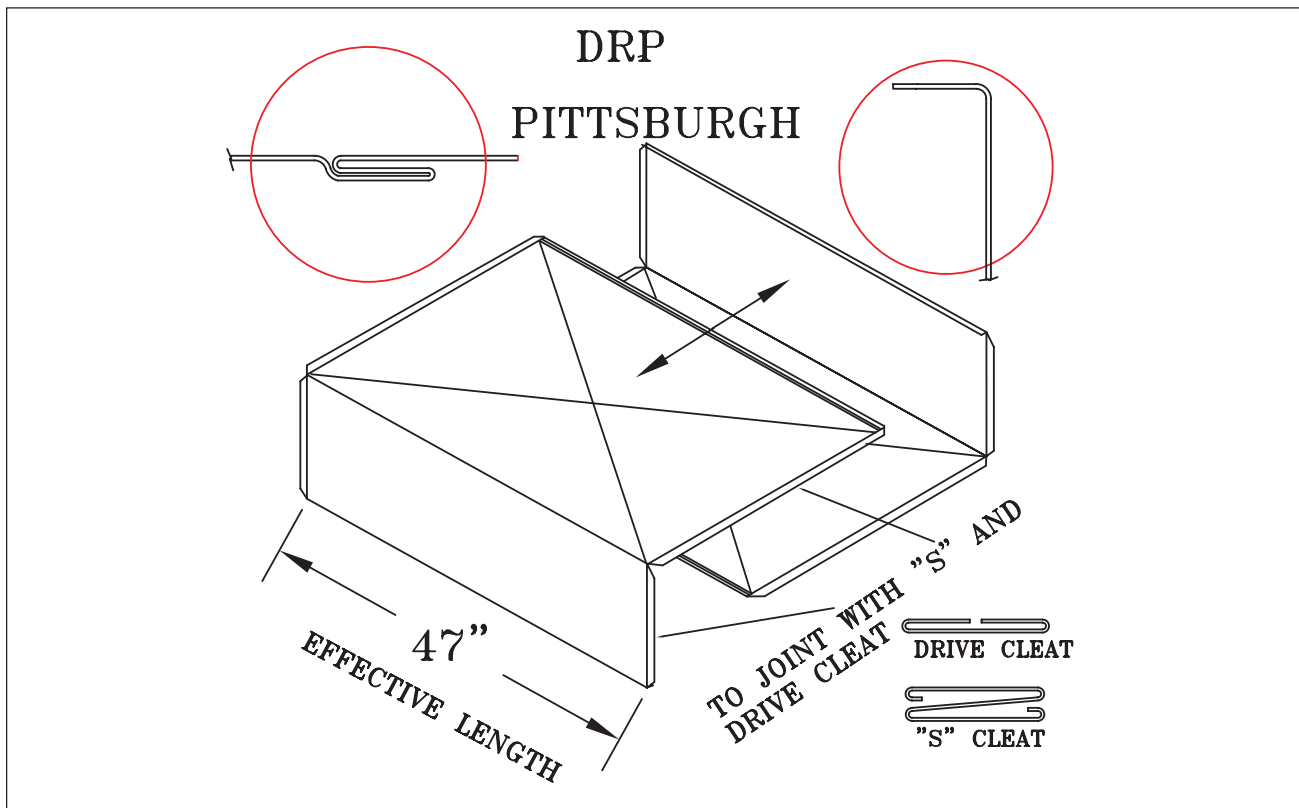


DESCRIPTION:

Available in sections of 4 FT (47" effective).

In galvanized sheet gauges 26, 24 and 22 according the dimensions.

Union with drive and "s".



AIR DISTRIBUTION PRODUCTS

SPIRO DUCT + FITTINGS + GRILLES + DIFFUSERS + FILTERS + FLEXIBLE DUCT + ACCESSORIES

Verbet reserve the right of making any change without any prior notice.