

MATERIALS:

Perforated sheet steel hinged gauge 26 (24 option), with box-reinforced steel adapter gauge 26. Necks rolled and stamped, galvanized metal lime. 26. The insulation is fiberglass R-6 or R-8.

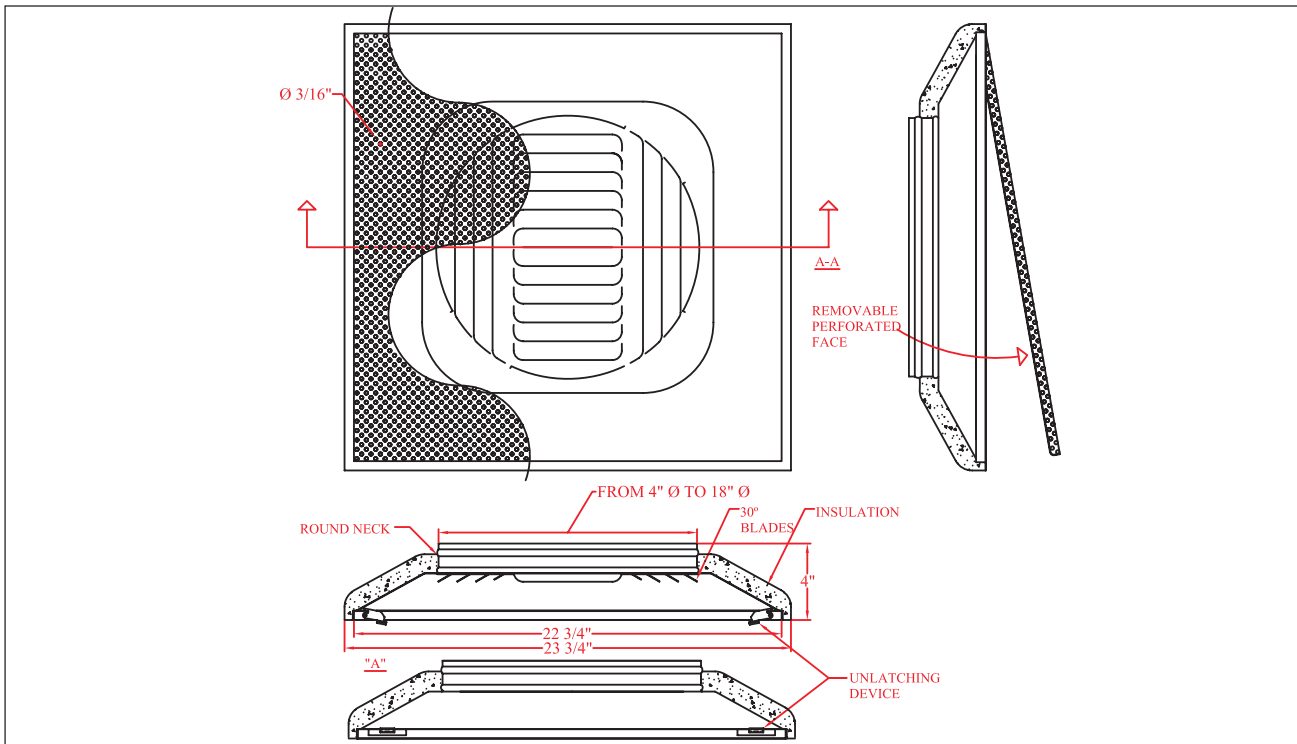
DPA - Steel DP - Perforated Ceiling Diffusers

DESCRIPTION:

- Diffuser modular false ceiling mounted 24 "x 24";
- + Perforated steel sheet in front, with 50% free area. Which is easily removable to facilitate the maintenance process. Distribution box + high efficiency. Circular + Neck flexible duct connection.
 - + Diffuser interior 4-way adjustable deflection of a pierce.
 - + Fiberglass insulation with kraft coated.

FINISH:

Baked electrostatic paint (polyester) white Vermont airtight steel and plastic packaging.



AIR DISTRIBUTION PRODUCTS

SPIRO DUCT + FITTINGS + GRILLES + DIFFUSERS + FILTERS + FLEXIBLE DUCT + ACCESSORIES

Verbet reserve the right of making any change without any prior notice.