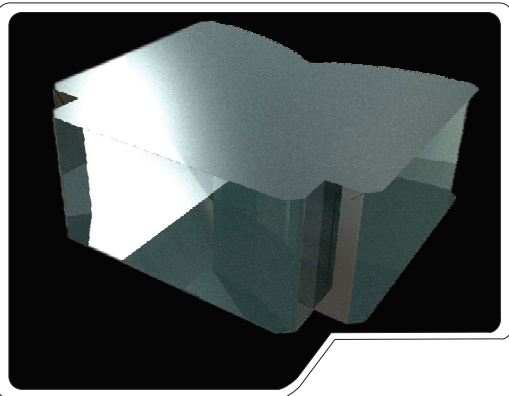
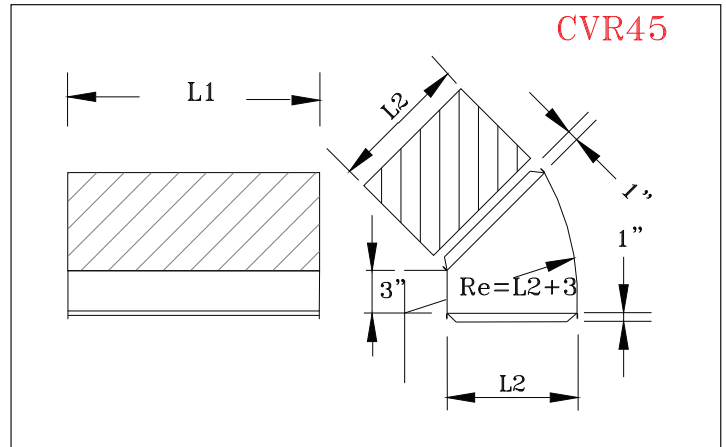


Rectangular 45° Vertical Elbow

Code: CVR45

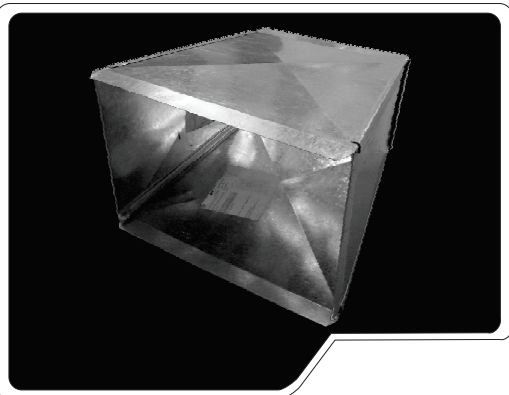
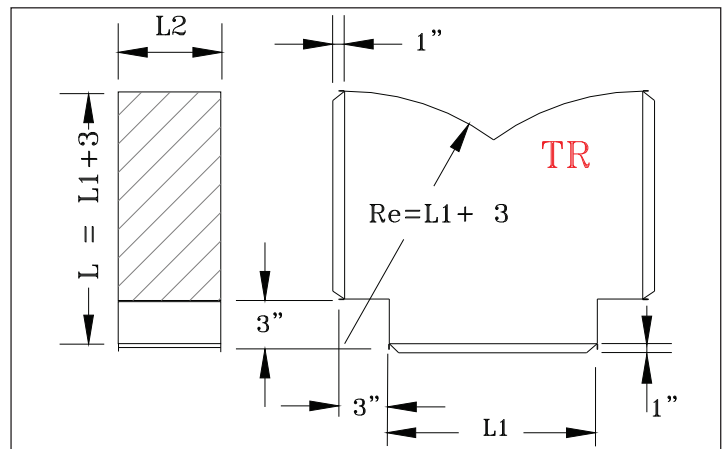
Galvanized sheet gauges 26, 24 and 22 according the dimensions. Thermal insulation Ductliner of 1" (optional).



Rectangular Tee

Code: TR

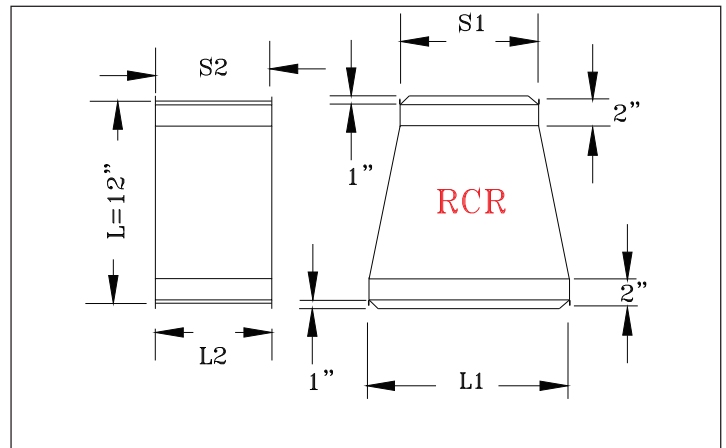
galvanized sheet gauges 26, 24 and 22 according the dimensions. Thermal insulation Ductliner of 1" (optional).



Concentric Rectangular Reducer

Code: RCR

galvanized sheet gauges 26, 24 and 22 according the dimensions.



**AIR DISTRIBUTION PRODUCTS**

SPIRO DUCT + FITTINGS + GRILLES + DIFFUSERS + FILTERS + FLEXIBLE DUCT + ACCESSORIES

Verbet reserve the right of making any change without any prior notice.