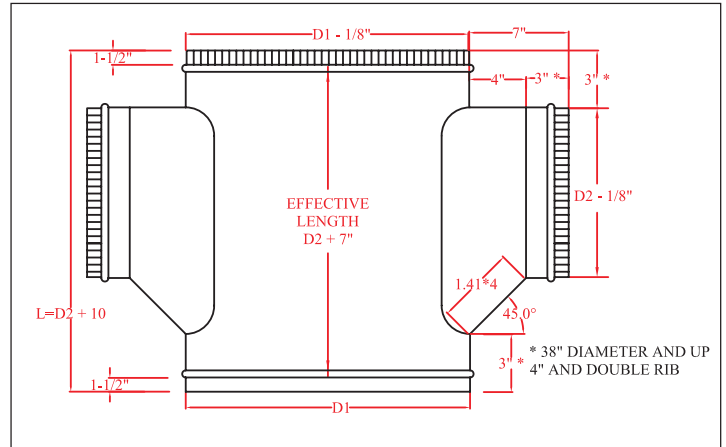


ROUND FITTINGS



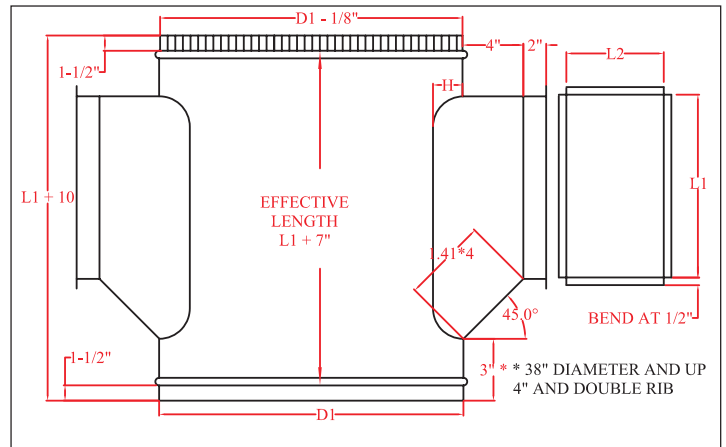
Code: CRUZ Reducer, round cross cap.
 Reducer round cross cap in galvanized sheet, gauges 26,24,22 and 20.



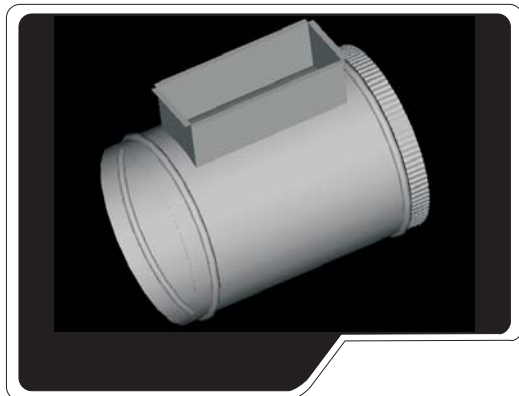
D1=Principal duct diameter, D2= Small diameter. Sizes from 4" up to 60" in 2" intervals.



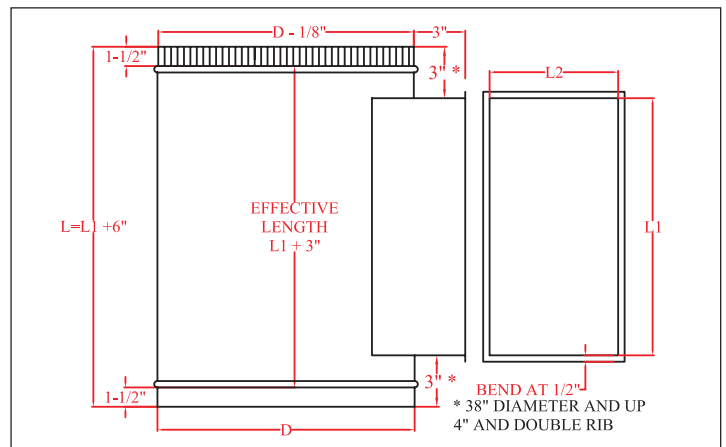
Code: CRUZC Reducer, squared cross cap.
 Squared cross cap reducer in galvanized sheet, gauges 26,24,22 and 20 according to the dimensions.



D1=Principal duct diameter, L1 and L2= Squared duct dimensions. Available in sizes from 4" up to 60" in 2" intervals.



Code: INJC Squared lateral.
 Squared lateral in galvanized sheet, gauges 26,24,22 and 20.



D1=Principal duct diameter.
 L1 and L2=Squared duct dimensions.

AIR DISTRIBUTION PRODUCTS

SPIRO DUCT + FITTINGS + GRILLES + DIFFUSERS + FILTERS + FLEXIBLE DUCT + ACCESSORIES

Verbet reserve the right of making any change without any prior notice.