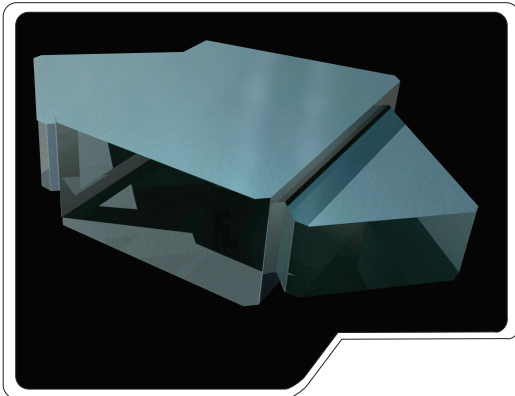


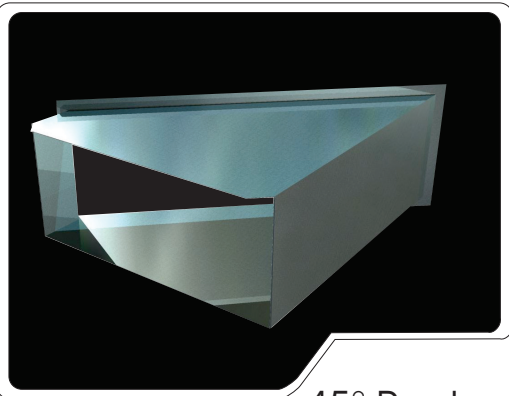
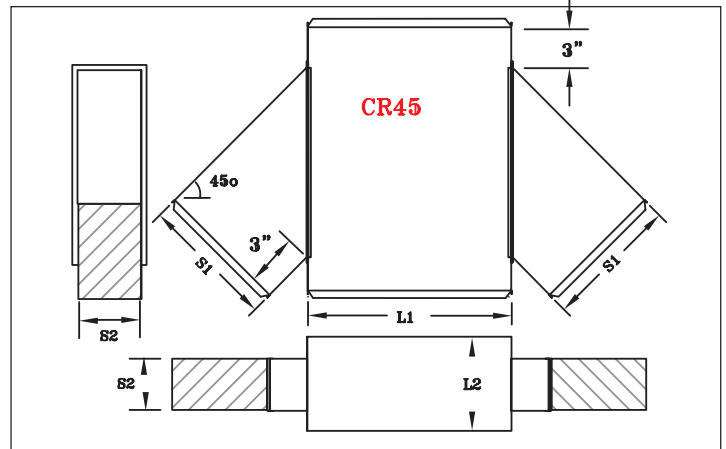
RECTANGULAR FITTINGS



Cross 45° Rectangular.

Code: CR45

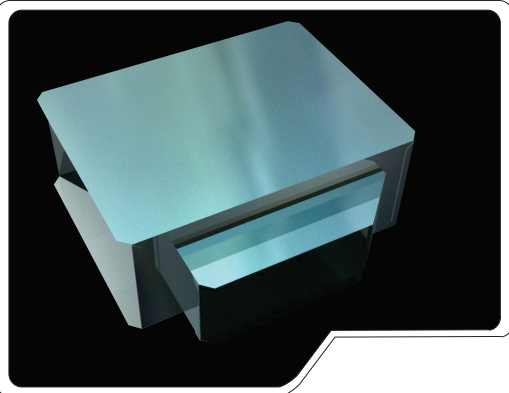
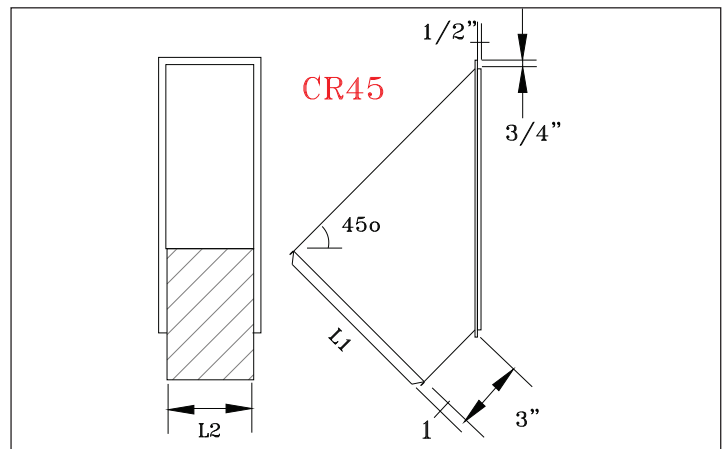
Unassembled, galvanized sheet gauges 26,24 and 22 according the dimensions. Thermal insulation Ductliner of 1" (optional).



45° Rectangular Tap.

Code: CR45

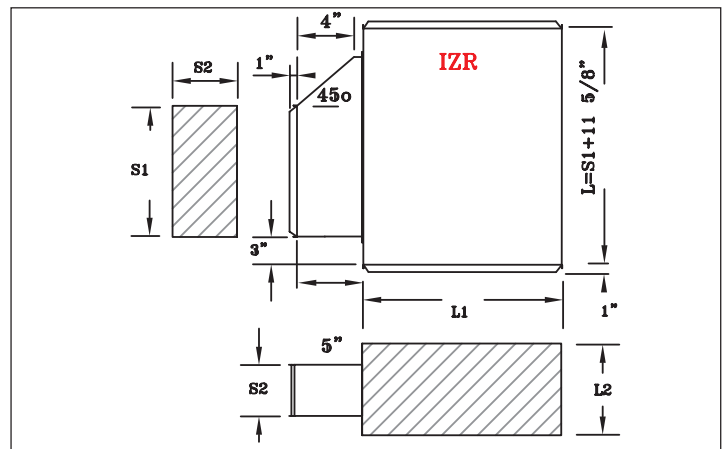
Unassembled, galvanized sheet gauges 26,24 and 22 according the dimensions. Thermal insulation Ductliner of 1" (optional).



Reducer, Lateral Rectangular.

Code: IZR

Galvanized sheet gauges 26,24 and 22 according the dimensions.



AIR DISTRIBUTION PRODUCTS

SPIRO DUCT + FITTINGS + GRILLES + DIFFUSERS + FILTERS + FLEXIBLE DUCT + ACCESSORIES

Verbet reserve the right of making any change without any prior notice.