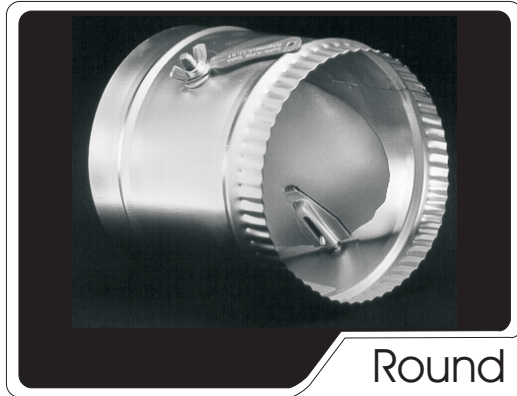
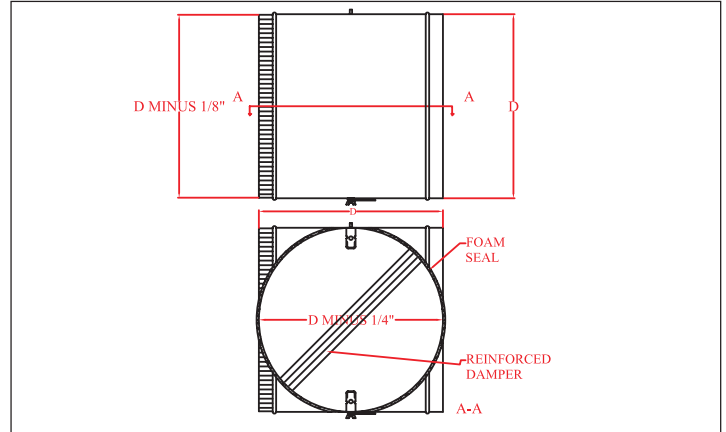


ROUND FITTINGS

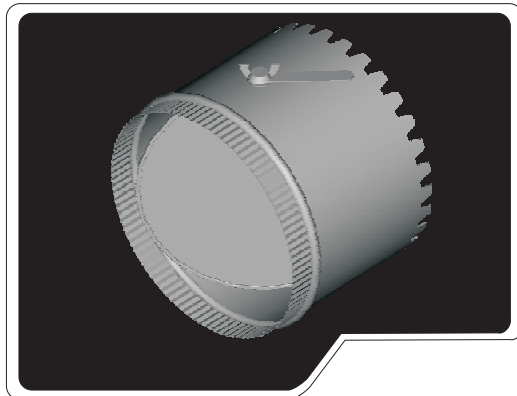


Round Damper

Code: COM
 Reinforced round damper with adjustment dial.

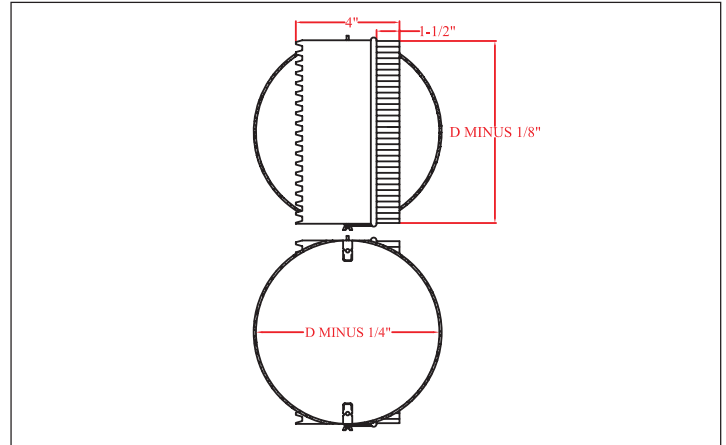


D=Principal duct diameter. Available in sizes from 4" through 30" in 2" intervals.

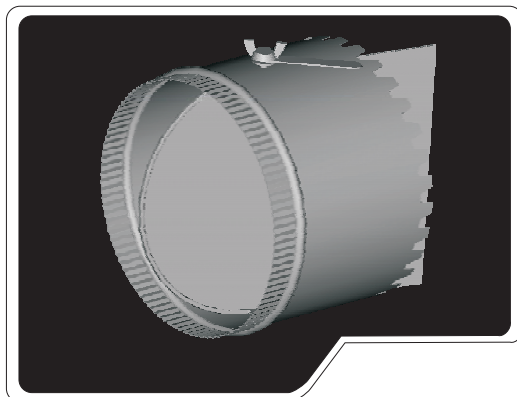


Coupling with damper

Code: CC Round coupling with damper and adjustment lever. Galvanized sheet.

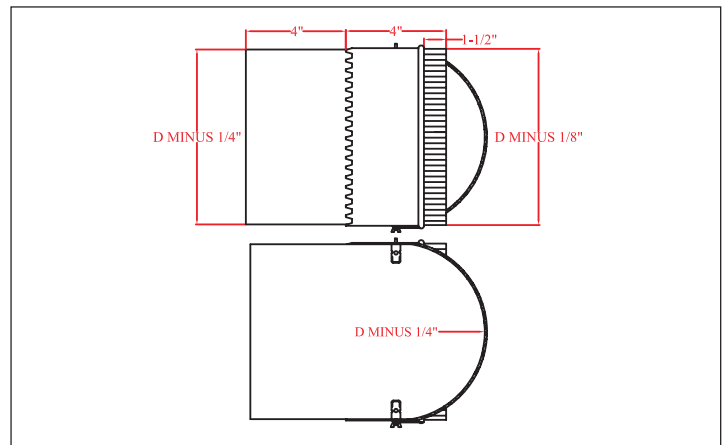


D=Duct diameter. Units are in inches, available in sizes from 4" through 20" in 2" intervals.



Coupling with deflection blade

Code: CB Coupling with deflection blade.



D=Duct diameter. Available in sizes from 4" through 20" in 2" intervals.

AIR DISTRIBUTION PRODUCTS

SPIRO DUCT + FITTINGS + GRILLES + DIFFUSERS + FILTERS + FLEXIBLE DUCT + ACCESSORIES

Verbet reserve the right of making any change without any prior notice.