

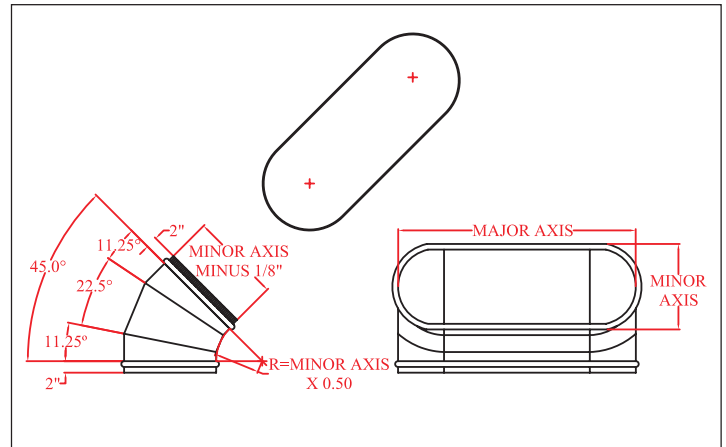
OVAL FITTINGS



Oval 45° Vertical Elbow.

Code: CODOV45

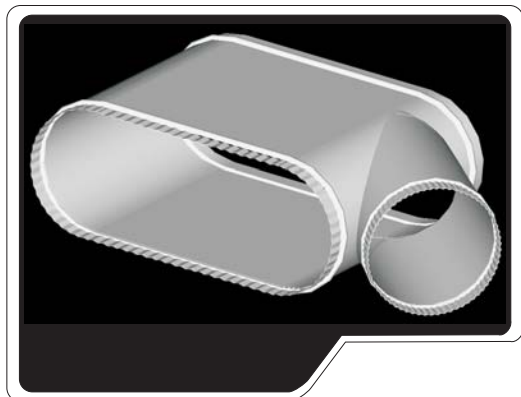
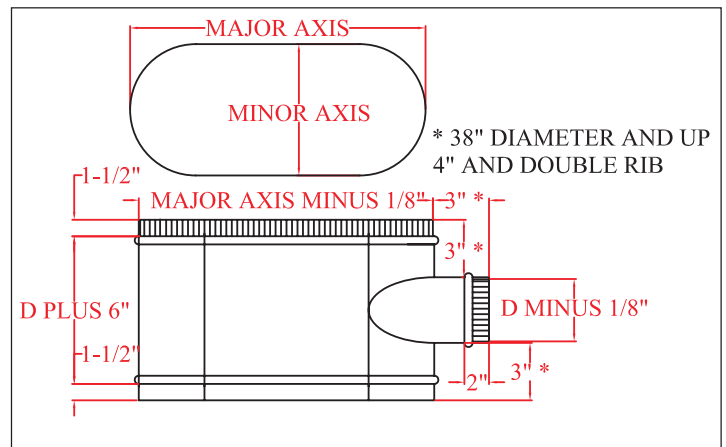
Oval 45° vertical elbow in galvanized sheet. Gauges 26,24,22,20 and 18 according the dimensions.



90° Lateral, oval to round.

Code: INJOR90

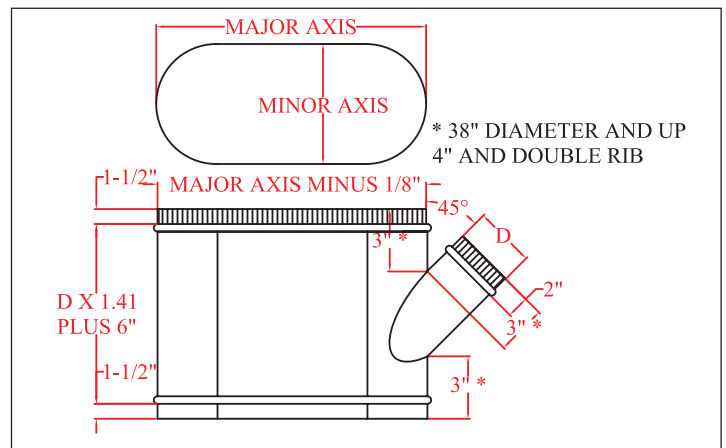
90° lateral oval to round in galvanized sheet. Gauges 26,24,22,20 and 18.



45° Lateral, oval to round.

Code: INJOR45

45° lateral oval to round in galvanized sheet. Gauges 26,24,22,20 and 18 according the dimensions.



AIR DISTRIBUTION PRODUCTS

SPIRO DUCT + FITTINGS + GRILLES + DIFFUSERS + FILTERS + FLEXIBLE DUCT + ACCESSORIES

Verbet reserve the right of making any change without any prior notice.