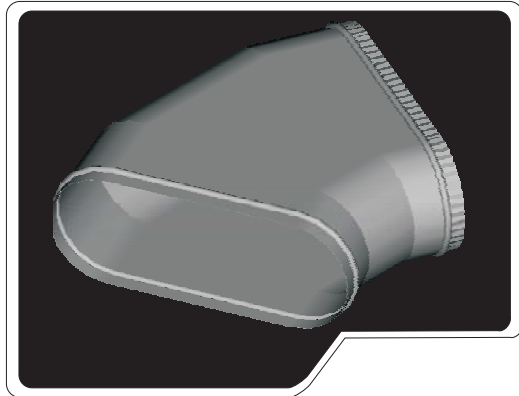
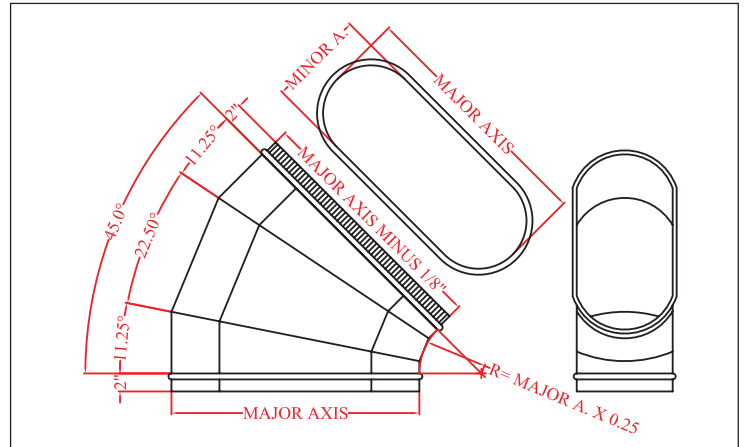


OVAL FITTINGS



Oval 45° Horizontal Elbow

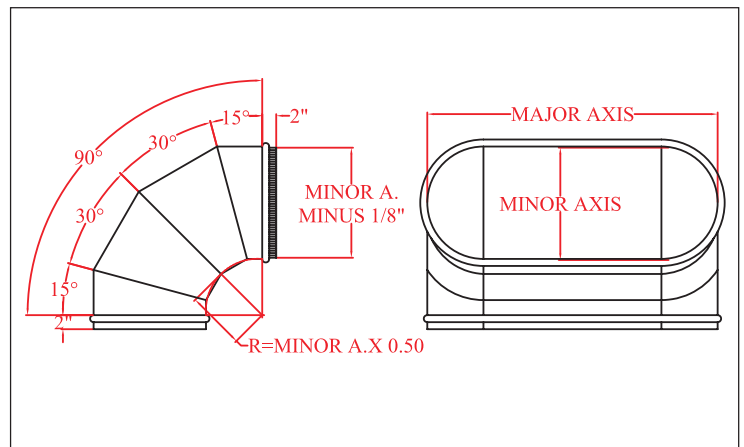


Code: CODOH45

Oval 45° horizontal elbow in galvanized sheet. Gauges 26,24,22,20 and 18 according the dimensions.

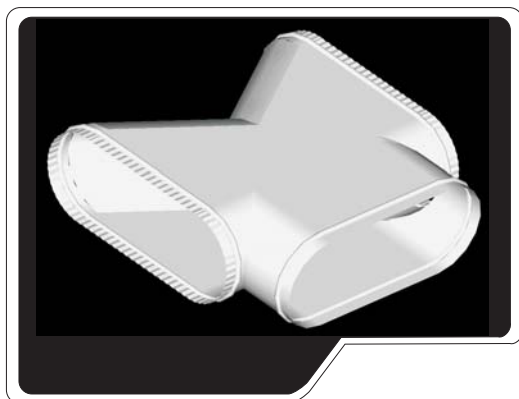


Oval 90° vertical Elbow

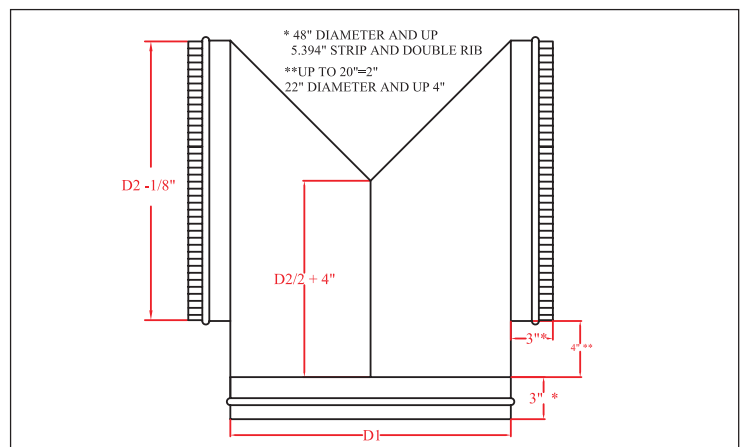


Code: CODOV90

Oval 90° vertical elbow, galvanized sheet. Gauges 26,24,22, 20 and 18 according the dimensions.



Oval "T" horizontal



Code:TEO

Oval horizontal "T", galvanized sheet. Gauges 26,24,22,20 and 18.

AIR DISTRIBUTION PRODUCTS

SPIRO DUCT + FITTINGS + GRILLES + DIFFUSERS + FILTERS + FLEXIBLE DUCT + ACCESSORIES

Verbet reserve the right of making any change without any prior notice.