



CI- Galvanized Steel

DESCRIPTION:

Circular hermetic and reinforced damper, sealed with neoprene circumferential seal. Electric actuator (optional)

MATERIALS:

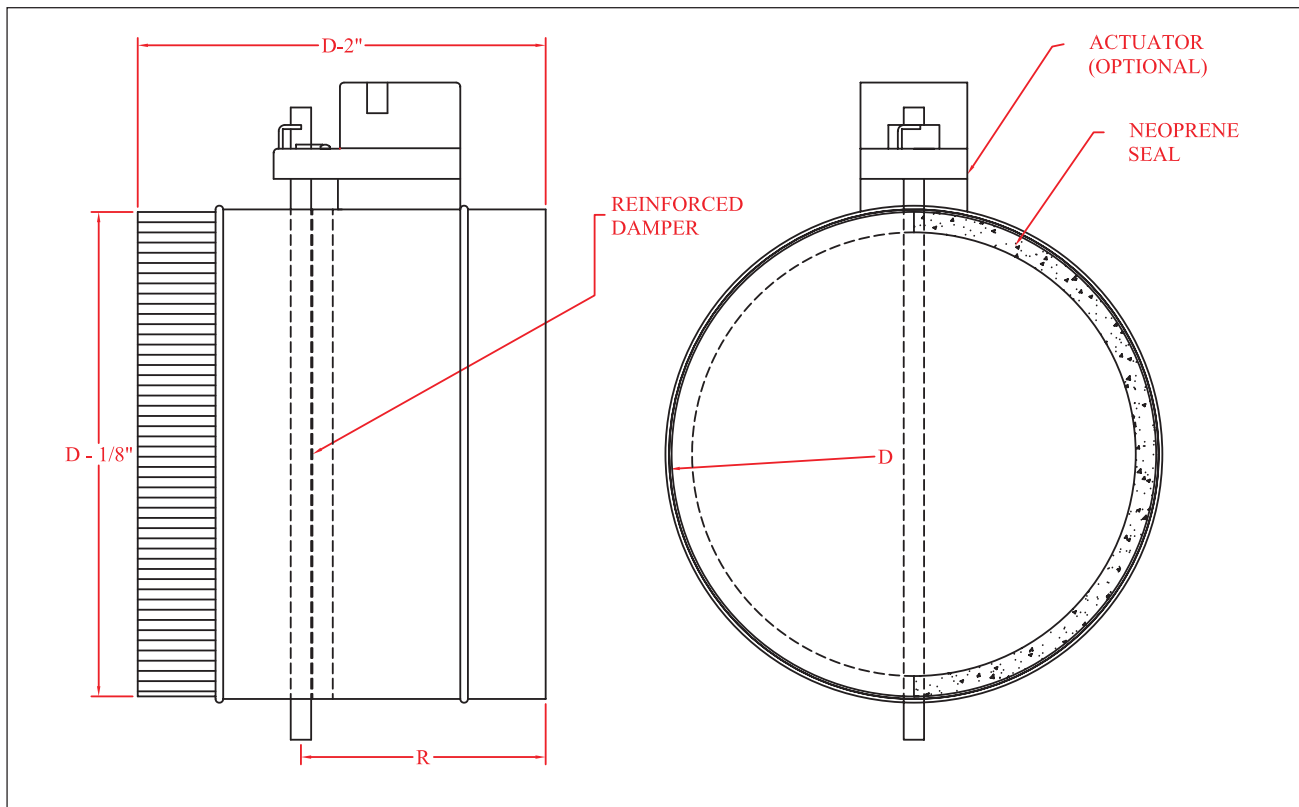
Construction on galvanized sheet 22 gauge (diameters 6 to 20) and 20 gauge (diameters 22 to 36), 1/2 "diameter rod. 1/2 " . Shaft and neoprene seal. .

FINISH:

Natural galvanized sheet finish. delivered with an assembled electric actuator if that option is chosen. Sealed plastic packaging.

PERFORMANCE:

In its fully closed position has a leak of 0.15 cm per inch of circumference.



AIR DISTRIBUTION PRODUCTS

SPIRO DUCT + FITTINGS + GRILLES + DIFFUSERS + FILTERS + FLEXIBLE DUCT + ACCESSORIES

Verbet reserve the right of making any change without any prior notice.