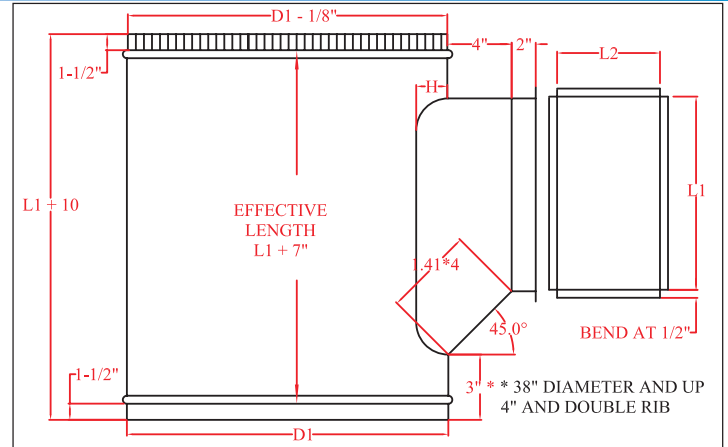


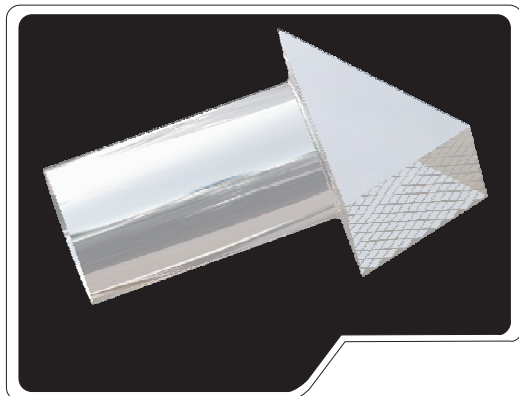


Reducing square cap.

Code: ZC
 Reducing square cap in galvanized steel

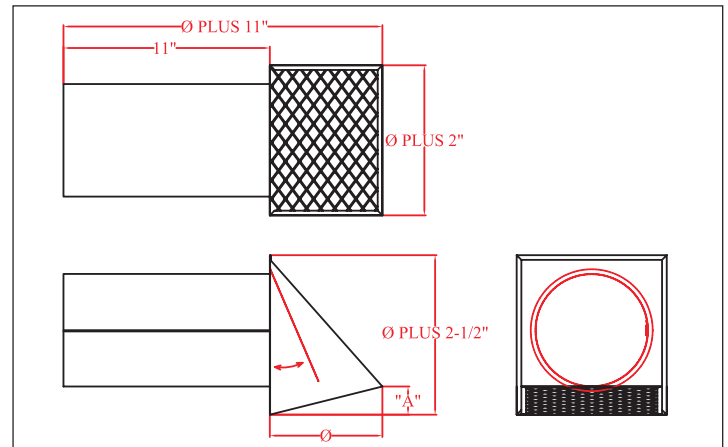


$D1$ = Principal duct diameter.

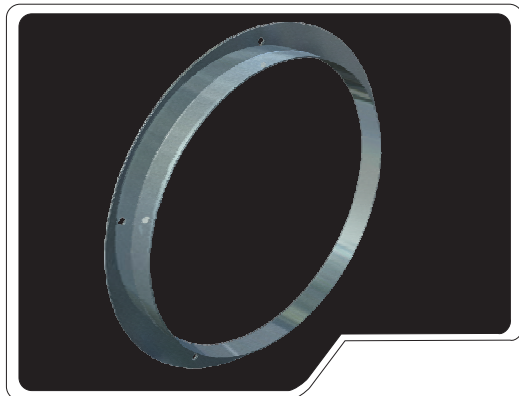


Clothes dryer damper.

Code: CE
 Barometric damper extraction in galvanized steel.
 Gauge 26.

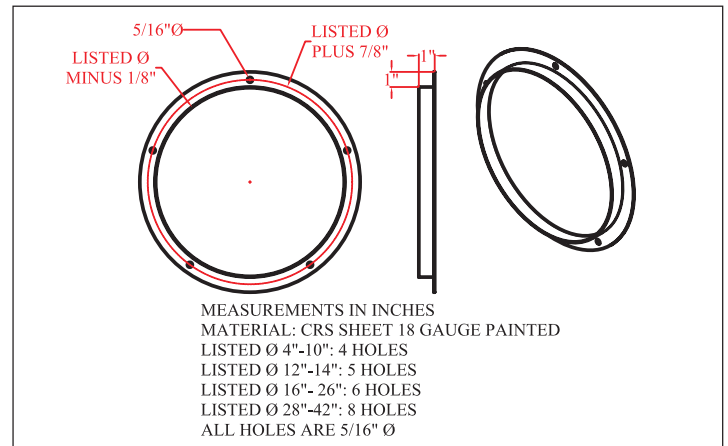


Measurements are in inches, available in dimensions from 4" up to 16" in 2" intervals.



Angle rings.

Code: BR
 Painted black plate flanges. Gauge 18.



Available in dimensions from 4" up to 42" in 2" intervals.

AIR DISTRIBUTION PRODUCTS

SPIRO DUCT + FITTINGS + GRILLES + DIFFUSERS + FILTERS + FLEXIBLE DUCT + ACCESSORIES

Verbet reserve the right of making any change without any prior notice.